



**PRODUCT
CATALOGUE
2025/2026**

Product Catalogue **2025/2026**



Who

ITALSCALE Srl is a cutting edge company specialized in the production of ladders, scaffolds and modular elements scaffoldings.

Since it was founded in 1960, thanks to a constant production and commercial development, our Company still continues to occupy a prestigious position in the national and international market industry. Our ladders are designed and manufactured with the use of modern technologies and high quality materials.

We offer a highly functional product, made of stainless steel and aluminum, which ensure maximum stability and a long durability.

Our products are practical and easy to assemble and they find applications both in the public and private industrial sectors.

Our products are used in various fields: from the construction industry to the Fire Department, from domestic use to the office one.

Where

Our headquarter is situated just a few kilometers off the highway and it hosts the commercial and administrative offices and a 2.500 square meters warehouse.

We offer an efficient and coordinated logistics plan to meet all customers requirements in terms of punctuality and velocity in the delivery of a wide range of products.

How

WORK SAFELY

Great attention is focused mainly on security and safety by creating models that meet the European standards in force.

For example the attacks are made of cast aluminum with peg and anti-twist groove.

WIDE RANGE OF USES

We offer a wide range of products that can be used for multiple uses and various professions, suitable for both indoor and outdoor usage, such as: Warehouses, Furniture for Offices, Shops, Archives, Bookstores, Libraries, Cemeteries, Trade Shows, Cleaning Companies, Fire Departments, Construction Sectors, Domestic Use, etc.

REPLACE WHAT YOU WANT

Spare parts are available for all models, for example the steps because they are not welded nor re-shaped but just screwed.

This means that you can replace each single piece without having to replace the whole ladder.

CUSTOMIZED PRODUCTS

To meet the needs of customers, Italscale offers, on specific request for some models, the possibility to realize ladders which can be painted in a specific color. We offer also ladders that can be realized on design or with a different size from the standard.

OPTIONAL

There are many optional available, in order to create the ladder according to your needs.



Index

LADDERS

Stool ladder SG.....	8	Double ladder C3 with one rising side.....	46
Resealable stool ladder SGR	10	Double ladder SD1 with one rising side	48
Stool ladder SGS	12	Double ladder SD2 with two rising side	50
Ladder with platform CCBR	14	Double ladder SD1C comfort with one rising side...	52
Ladder with resealable platform SP	16	Telescopic ladder ST.....	54
Ladder with platform CCBS	18	Double ladder VSP-1 with one rising side	56
Ramp ladder SR.....	20	Double ladder VSP-2 with two rising side	58
Ladder with platform S1P	22	Section ladder SC	60
Ladder with double platform S2P	24	Section ladder SCV.....	62
Double sided cross-over ladder with railing DBR..	26	Supporting ladder F6	64
Double sided cross-over ladder with railing DSR..	28	Supporting ladder F10	66
Frontal sliding ladder SF	30	Supporting ladder F11	68
Frontal sliding ladder F12.....	32	Supporting ladder for agriculture AGR.....	70
Side sliding ladder SL.....	34	Italian ladder VTR.....	72
Side sliding ladder SLC	36	Cage ladder GAB.....	74
Stainless steel ladder with hook C1.....	38	Rope ladder COR.....	76
Ladder with hooks F5.....	40	Hook ladder VFG.....	78
Double ladder MG40 with one rising side..	42	Italian grafting ladder VF	80
Double ladder MG80 with two rising side..	44		

SCAFFOLDS

Scaffolding Ladder 280.....	84	Scaffolding Ladder 280 FE	86
-----------------------------	----	---------------------------------	----

SCAFFOLDING

Wheeled Scaffolding N-01	90	Wheeled Scaffolding N-03	92
--------------------------------	----	--------------------------------	----

SECURITY

Kit and equipment for working at height safely	96
--	----



LADDERS



Description

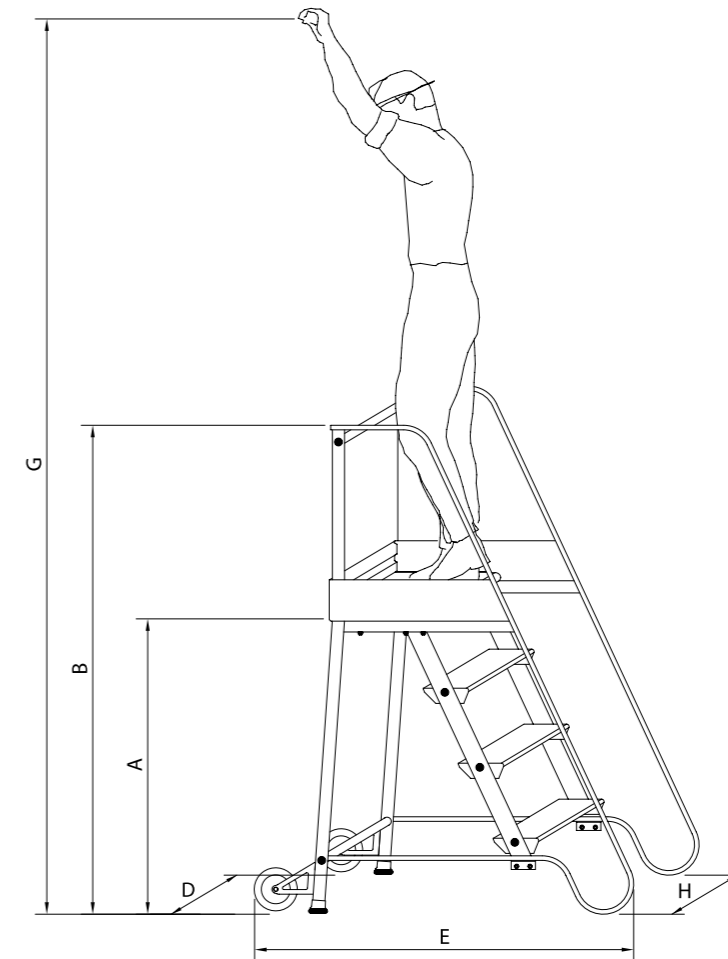
The ladder is made of stainless steel and the steps of anti-slip aluminum. The ladder is provided with handrail. The standard model has two fixed rear wheels and you can easily move it by lifting the front part.

It is also available on request the ladder SG/P version, which is supplied with two fixed rear wheels and two front rotating wheels with spring. With this version the ladder can be easily moved only by pushing it and the front wheels will be blocked by the weight of the operator while using the ladder.

STEPS: they are mounted on aluminum die-casted supports with rungs and anti-torsion groove and they are fixed onto the frames.
WELD FREE AND RIVETING FREE

Technical Data

WEIGHT CAPACITY: 150 kg
(weight related to a person with tools)
FRAMES: stainless steel
(60x20 mm + 40x20 mm + 30x15 mm)
PLATFORM: anti-slip aluminum
450x340 mm
WHEELS: rear wheels \varnothing 140 mm
(front wheels SG/P \varnothing 100 mm)
STEPS: aluminum 150x23 mm
TOP WIDTH: 450 mm
SAFETY STANDARD:
UNI EN 131-2 , UNI EN 14183



Code	Steps*	A	B	D	E	H	G	Weight
S0302AS	2	500	1120	500	960	510	2350	14,3 kg
S0303AS	3	750	1360	520	1100	530	2600	17,2 kg
S0304AS	4	1000	1600	550	1230	550	2850	20,2 kg

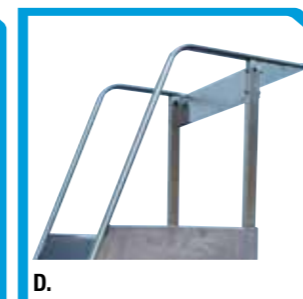
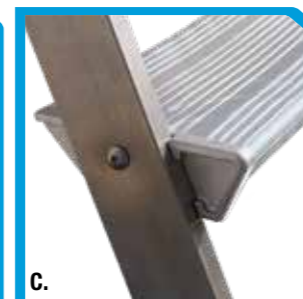
To optimize transport the ladder can be supplied disassembled

A. Joint and rotating wheel

B. Wheel holder kit

C. Anti-torsion supports

D. Version with Objects holder



* The platform is included in the number of the steps
Measures are in mm



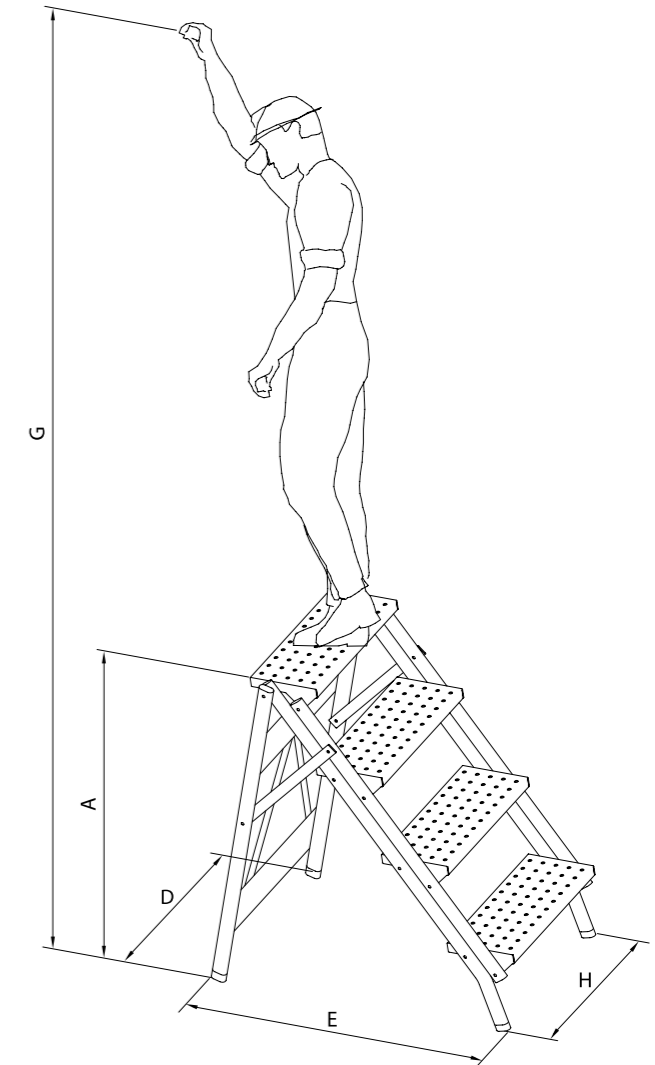
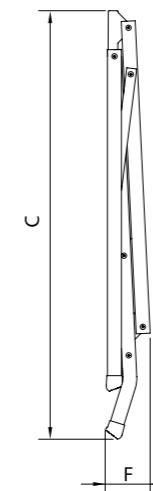
Description

The ladder is made of anodized aluminum with anti-slip aluminum steps. It is comfortable, resistant, light and designed for professional use; it offers maximum support to the operator.

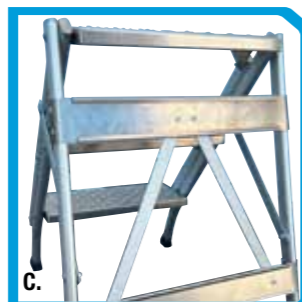
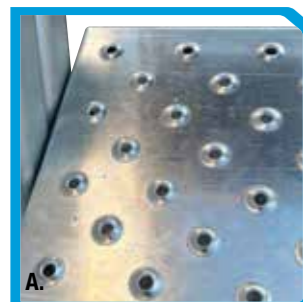
STEPS: they are screwed to the climbing sides with anti-torsion system.
WELD FREE AND RIVETING FREE

Technical Data

WEIGHT CAPACITY: 150 kg
(weight related to a person with tools)
STEPS: anti-slip aluminum 200x450mm
FRAMES: anodized aluminum 42x22mm
TOP WIDTH: 550mm
SAFETY STANDARD:
D.Lgs. n°81/2008



Code	Steps	A	C	D	E	F	H	G	Weight
S2702AR	2	500	700	600	460	140	500	2350	4,5 kg
S2703AR	3	750	1000	600	700	140	500	2600	6,5 kg
S2704AR	4	1000	1300	600	940	140	500	2850	8,5 kg



A. Anti-slip step detail
B. Anti-slip foot detail
C. Back reinforce cross detail

Measures are in mm



Description

The ladder is made of stainless steel and the steps of anti-slip aluminum. It is comfortable, practical and designed for any environment and use: domestic, sanitary, into warehouses and shops.

STEPS: they are mounted on aluminum die-casted supports with rungs and anti-torsion groove and they are fixed onto the frames.

WELD FREE AND RIVETING FREE

Technical Data

WEIGHT CAPACITY: 150 kg
(weight related to a person with tools)

FRAMES: stainless steel
(40x20 mm)

PLATFORM: anti-slip aluminum
450x500 mm for S2301

350x500 mm for S2302- S2303- S2304

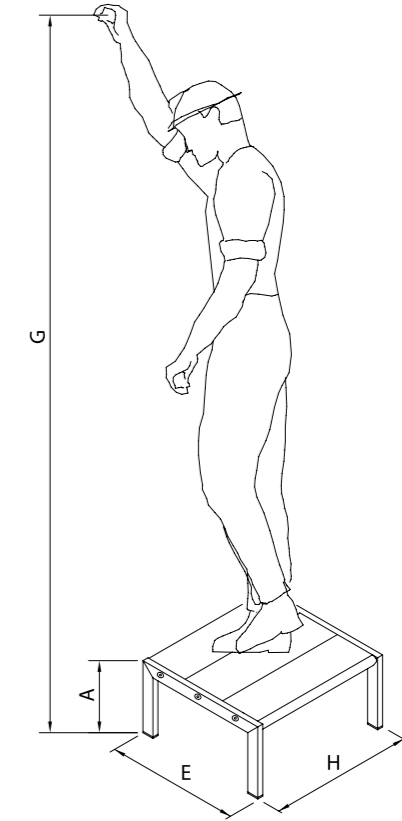
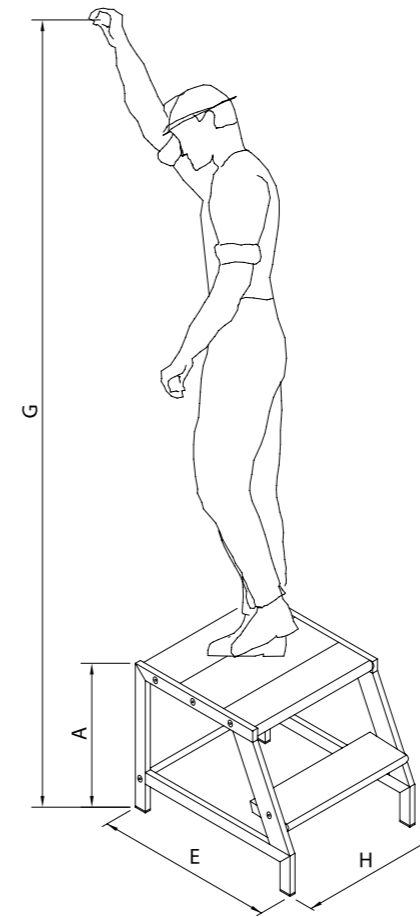
STEPS: anti-slip aluminum 150x23 mm

TOP WIDTH: 500 mm

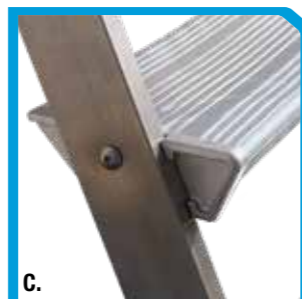
SAFETY STANDARD:

D. Lgs. n° 81/2008

To optimize transport the ladder can be supplied disassembled



Code	Steps*	A	E	G	H	Weight
S2301	1	250	460	2100	500	5 kg
S2302	2	500	510	2350	500	10 kg
S2303	3	750	630	2600	500	12 kg
S2304	4	1000	740	2850	500	14 kg



A. One step stool ladder
B. Platform in anti-slippery aluminum
C. Anti-torsion supports

* The platform is included in the number of the steps
Measures are in mm



To optimize transport the ladder can be supplied disassembled

Description

CCBR ladder with platform is made of stainless steel. The platform and the steps are in anti-slip aluminum. The ladder is provided with handrail.

It is available in five versions:

- **CCBR/A** (photo A, from 3 to 13 steps): two rear fixed wheels and two rotating front wheels with spring
- **CCBR/MA** (photo B, from 3 to 13 steps): two rear fixed wheels and two front steel handles (the two rotating wheels and the braking device are not included)
- **CCBR/AA** (photo C, from 3 to 8 steps): two rotating rear wheels with spring and two rotating front wheels with spring
- **CCBR/P** (photo D, from 4 to 13 steps): two rear fixed wheels and a front braking device composed by two rotating wheels and a brake pedal
- **CCBR/F** (photo E, from 3 to 13 steps): two rear fixed wheels and two rotating front wheels with brake lever.

WARNING: in the P and F versions the user must activate the brake pedal before using the ladder.

STEPS: they are mounted on aluminum die-casted supports with rungs and anti-torsion groove and they are fixed onto the frames.

WELD FREE AND RIVETING FREE

Technical Data

WEIGHT CAPACITY: 150 kg
(weight related to a person with tools)

FRAMES: stainless steel
(60x20 mm + 40x20 mm + 30x15 mm)

PLATFORM: anti-slip aluminum
450x340 mm

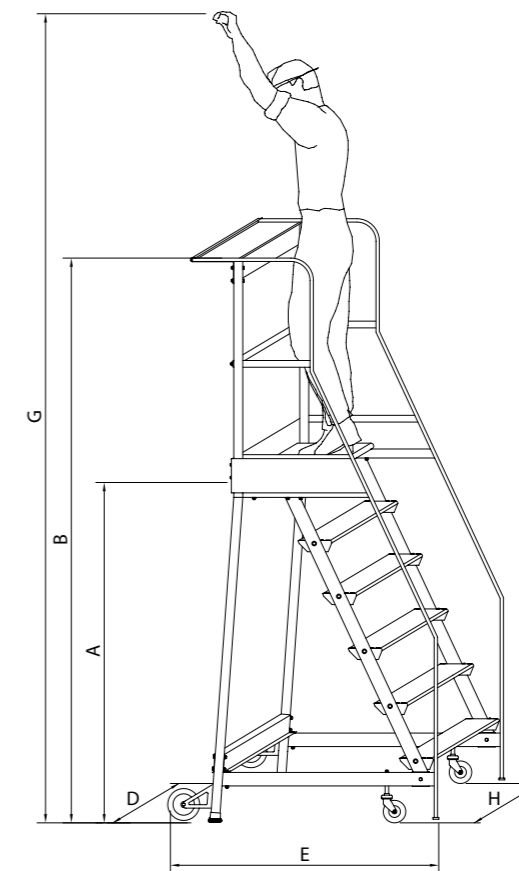
WHEELS: rear wheels \varnothing 140 mm,
front wheels \varnothing 100 mm

STEPS: aluminum 150x23 mm

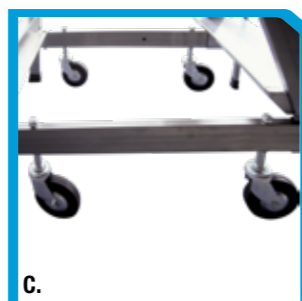
TOP WIDTH: 450 mm

SAFETY STANDARD:

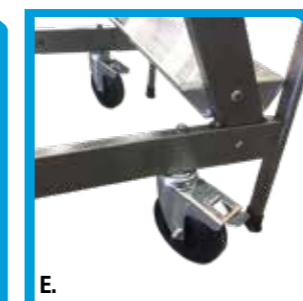
D. Lgs. n° 81/2008



Code	Steps*	A	B	D	E	G	H	Weight	
S0303A	3	750	1750	480	930	2600	460	24 kg	N/A
S0304A	4	1000	2000	580	930	2850	490	26 kg	30 kg**
S0305A	5	1250	2250	620	1100	3100	510	28,4 kg	32,5 kg**
S0306A	6	1500	2500	650	1220	3350	530	31,8 kg	36 kg**
S0307A	7	1750	2750	680	1340	3600	550	35,5 kg	39,5 kg**
S0308A	8	2000	3000	710	1460	3850	570	39 kg	43 kg**
S0309A	9	2250	3250	740	1600	4100	590	45,5 kg	49,6 kg**
S0310A	10	2500	3500	770	1720	4350	610	49,9 kg	54 kg**
S0311A	11	2750	3750	800	1900	4600	630	54,1 kg	58,3 kg**
S0312A	12	3000	4000	830	2040	4850	650	57,7 kg	62 kg**
S0313A	13	3250	4250	860	2200	5100	670	61,9 kg	66,2 kg**



A. CCBR/A Version
B. CCBR/MA Version
C. CCBR/AA Version



*The platform is included in the number of the steps
** Weight of ladder with braking device
Measures are in mm

D. CCBR/P Version
E. CCBR/F Version



Resealable ladder

Description

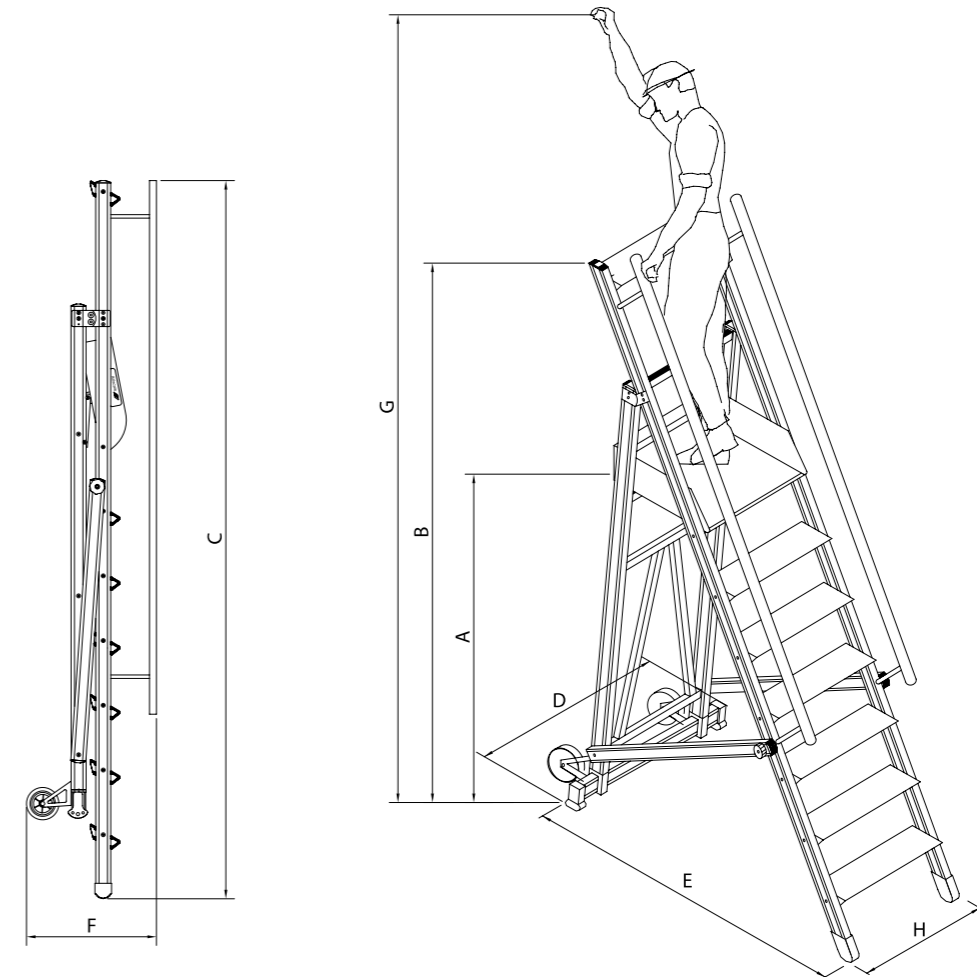
The ladder is made with anodized aluminum frame, aluminum anti-slip steps and aluminum platform. The ladder is equipped with handrail, rear stabilizer base which prevents lateral tipping and rear wheels that make it easier to move. The inclination of the step section at 60° and the 150 mm steps make the climb more comfortable. It can be easily closed in order to reduce its dimensions for storage and transport.

STEPS: they are mounted on aluminum die-casted supports with rungs and anti-torsion groove and they are fixed onto the frames.

WELD FREE AND RIVETING FREE

Technical Data

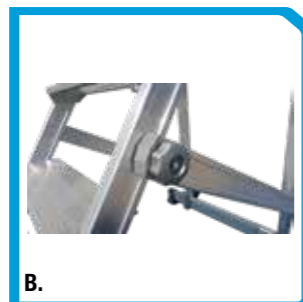
WEIGHT CAPACITY: 150 kg
(weight related to a person with tools)
FRAMES: anodized aluminum 65x30 mm
PLATFORM: anti-slip aluminum 490x490 mm
WHEELS: rear wheels \varnothing 140 mm
STEPS: aluminum 150x23 mm
TOP WIDTH: 570 mm
SAFETY STANDARD:
D. Lgs. n° 81/2008



Code	Steps*	A	B	C	D**	E	F	G	H	Weight
S2404	4	1000	2000	2270	900	1290	380	2850	580	23 kg
S2405	5	1250	2250	2550	900	1450	380	3100	580	26 kg
S2406	6	1500	2500	2830	900	1610	380	3350	580	29 kg
S2407	7	1750	2750	3110	900	1770	380	3600	580	32 kg
S2408	8	2000	3000	3390	900	1930	380	3850	580	35 kg
S2409	9	2250	3250	3670	900	2210	380	4100	580	38 kg
S2410	10	2500	3500	3950	900	2490	380	4350	580	41 kg



A.

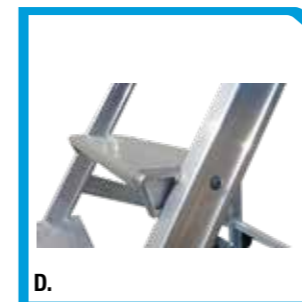


B.



C.

A. Ladder in resting position
B. Handwheel for closure of the ladder
C. Platform



D.

* The platform is included in the number of the steps
** Measure "D" can be reduced to 680 mm at latest, on request
Measures are in mm

D. Anti-slip steps



Description

CCBS ladder with platform is made of stainless steel. The platform and the steps are in anti-slip aluminum. The ladder is provided with handrail.

To comply with European norms the ladder comes standard with lateral stabilizers which prevent the overturning of the ladder during use.

It is available in four versions:

- **CCBS/A** (photo A, from 4 to 13 steps): two rear fixed wheels and two rotating front wheels with spring.

- **CCBS/MA** (photo B, from 4 to 20 steps): two rear fixed wheels and two front steel handles (the two rotating wheels and the braking device are not included).

- **CCBS/P** (photo C, from 4 to 20 steps): two rear fixed wheels and a front braking device composed by two rotating wheels and a brake pedal.

- **CCBS/F** (photo D, from 4 to 20 steps): two rear fixed wheels and two rotating front wheels with brake lever.

WARNING: in the P and F versions the user must activate the brake pedal before using the ladder.

STEPS: they are mounted on aluminum die-casted supports with rungs and anti-torsion groove and they are fixed onto the frames.

WELD FREE AND RIVETING FREE

Technical Data

WEIGHT CAPACITY: 150 kg (weight related to a person with tools)

FRAMES: stainless steel (60x20 mm + 40x20 mm + 30x15 mm)

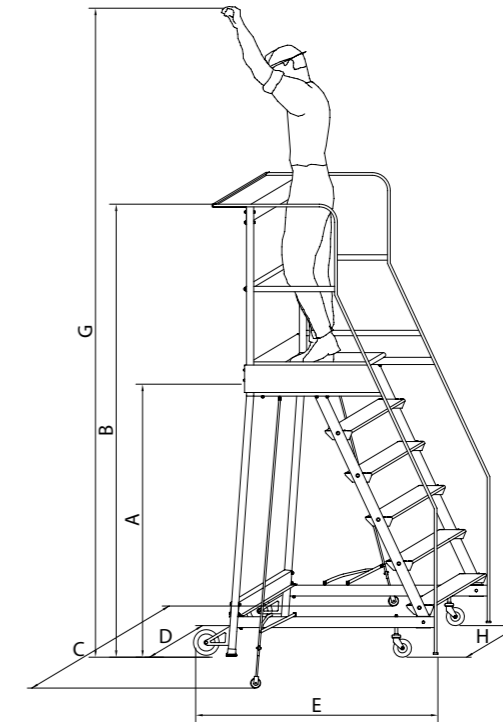
PLATFORM: anti-slip aluminum 490x490 mm

WHEELS: rear wheels ø 140 mm, front wheels ø 100 mm

STEPS: aluminum 150x23 mm

TOP WIDTH: 490 mm

SAFETY STANDARD: UNI EN 131-2, UNI EN 131-7; D.Lgs n°81/2008 for: S1817A, S1818A, S1819A, S1820A.



Code	Steps*	A	B	C	D	E	G	H	Weight
S1804A	4	1000	2000	1270	660	1130	2850	530	29,6 kg 34,2 kg**
S1805A	5	1250	2250	1270	690	1290	3100	550	32,9 kg 37,6 kg**
S1806A	6	1500	2500	1530	720	1450	3350	570	36,7 kg 41,4 kg**
S1807A	7	1750	2750	1530	750	1580	3600	590	40,8 kg 45,6 kg**
S1808A	8	2000	3000	1830	780	1740	3850	610	45,5 kg 50,2 kg**
S1809A	9	2250	3250	1830	810	1900	4100	630	50,3 kg 55,2 kg**
S1810A	10	2500	3500	2710	840	2040	4350	650	55,7 kg 61,6 kg**
S1811A	11	2750	3750	2710	870	2200	4600	670	62,4 kg 67,4 kg**
S1812A	12	3000	4000	3070	900	2320	4850	690	68,6 kg 73,6 kg**
S1813A	13	3250	4250	3070	930	2450	5100	710	75,1 kg 80,2 kg**
S1814A	14	3500	4500	3460	960	2630	5350	730	82,1 kg 87,2 kg**
S1815A	15	3750	4750	3460	990	2790	5600	750	89,4 kg 94,6 kg**
S1816A	16	4000	5000	3680	1020	2950	5850	770	97,2 kg 102,4 kg**
S1817A***	17	4250	5250	3900	1050	3110	6100	790	105 kg 110 kg**
S1818A***	18	4500	5500	4120	1080	3260	6350	810	113 kg 118 kg**
S1819A***	19	4750	5750	4340	1110	3430	6600	830	120 kg 126 kg**
S1820A***	20	5000	6000	4560	1140	3590	6850	850	128 kg 133 kg**

* The platform is included in the number of the steps - ** Weight of ladder with braking device - *** Complying with D.Lgs n° 81/2008 Measures are in mm

To optimize transport the ladder can be supplied disassembled

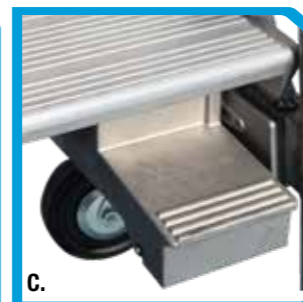
A. CCBS/A Version



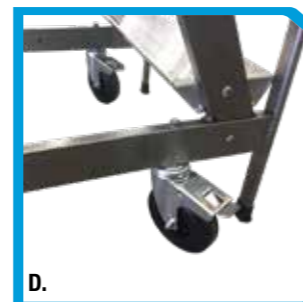
B. CCBS/MA Version



C. CCBS/P Version



D. CCBS/F Version





Description

The ladder is made of stainless steel and it is equipped with handrail. The platform and the steps are in anti-slip aluminum and it has two rear fixed wheels.

To comply with European norms the ladder must be equipped with lateral stabilizers which prevent the overturning of the ladder during use. In all versions it is possible to apply, as optional, a foot brake device with swivel wheels in the front of ladder.

WARNING: with this version the user must activate the brake pedal before using the ladder.

STEPS: they are mounted on aluminum die-casted supports with rungs and anti-torsion groove and they are fixed onto the frames.

WELD FREE AND RIVETING FREE

Technical Data

WEIGHT CAPACITY: 300 kg
(weight related to a person with tools)

FRAMES: stainless steel tube
(60x30 mm + 60x20 mm + 30x15 mm)

PLATFORM: anti-slip aluminum
860x600 mm

WHEELS: rear wheels \varnothing 200 mm

STEPS: aluminum 800x200 mm

TOP WIDTH: 860 mm

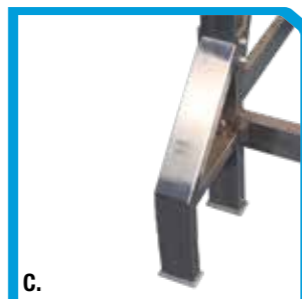
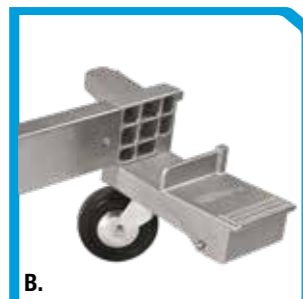
SAFETY STANDARD:

With lateral stabilizers
UNI EN 131-2, UNI EN 131-7;

Without lateral stabilizers

D. Lgs. n° 81/2008

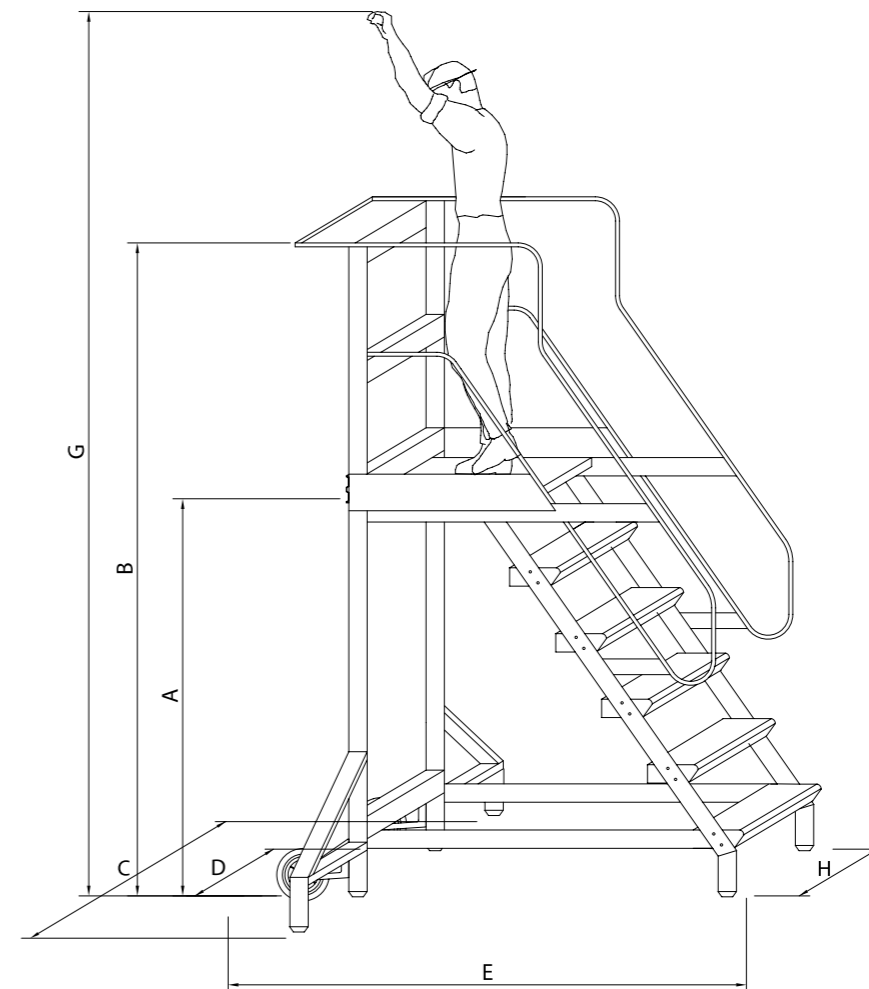
To optimize transport the ladder can be supplied disassembled



A. Objects holder and platform

B. Braking pedal device

C. Lateral stabilizer



Code	Steps*	A	B	C	D	E	G	H	Weight**
S1203A	3	750	1750	/	920	1170	2600	860	68 kg /
S1204A	4	1000	2000	/	920	1340	2850	860	74 kg /
S1205A	5	1250	2250	1330	920	1520	3100	860	80 kg 85 kg***
S1206A	6	1500	2500	1330	920	1700	3350	860	86 kg 91 kg***
S1207A	7	1750	2750	1470	920	1880	3600	860	93 kg 99 kg***
S1208A	8	2000	3000	1470	920	2050	3850	860	98 kg 104 kg***
S1209A	9	2250	3250	1610	920	2230	4100	860	104 kg 111 kg***
S1210A	10	2500	3500	1610	920	2400	4350	860	110 kg 117 kg***
S1211A	11	2750	3750	2180	920	2575	4600	860	116 kg 124 kg***
S1212A	12	3000	4000	2180	920	2750	4850	860	122 kg 130 kg***

* The platform is included in the number of the steps - ** The weight includes also the braking device (5 kg)

*** Ladder weight with stabilizer - Measures are in mm



Description

The ladder is made of stainless steel and it is equipped with handrail. Platform and steps are in anti-slip aluminum.

It is available in two versions:

- **S1P/A** (from 4 to 13 steps) four rotating wheels with brake lever.
- **S1P/F** (from 4 to 13 steps) four ground fixing plates

WARNING: with version S1P/A the user must activate the brake pedal before using the ladder.

Steps: they are mounted on aluminum die-casted supports with rungs and anti-torsion groove and they are fixed onto the frames.

WELD FREE AND RIVETING FREE

Technical Data

WEIGHT CAPACITY: 150 kg
(weight related to a person with tools)

FRAMES: stainless steel
(40x20, 60x20, 20x20 mm)

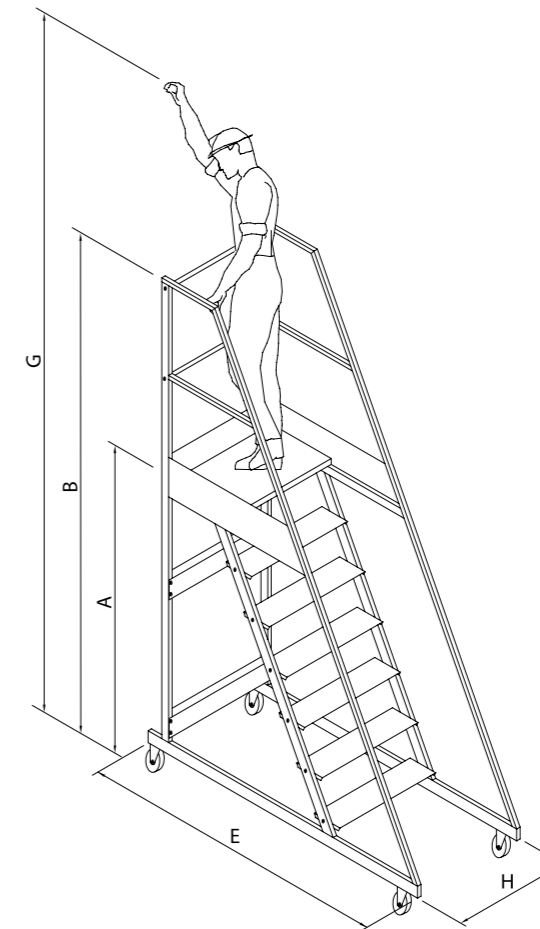
PLATFORM: anti-slip aluminum 700x340 mm

WHEELS: rotating wheels with brake lever Ø 125mm

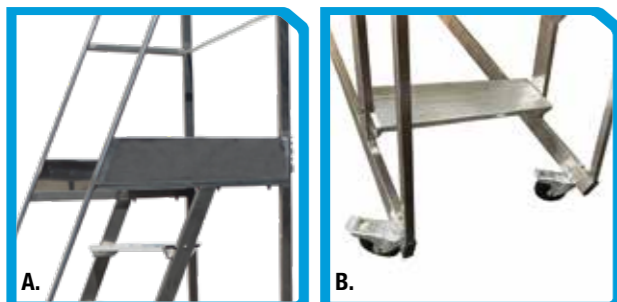
STEPS: aluminum 150x23 mm

TOP WIDTH: 700 mm

SAFETY STANDARD: D. Lgs. n° 81/2008



To optimize transport the ladder can be supplied disassembled



A. Platform
B. Rotating wheels with brake lever

Code	Steps*	A	B	E	G	H	Weight
S2604A	4	1000	2000	1320	2850	700	18 kg
S2605A	5	1250	2250	1435	3100	700	23 kg
S2606A	6	1500	2500	1550	3350	700	28 kg
S2607A	7	1750	2750	1665	3600	700	33 kg
S2608A	8	2000	3000	1780	3850	700	38 kg
S2609A	9	2250	3250	1895	4100	700	43 kg
S2610A	10	2500	3500	2010	4350	700	48 kg
S2611A	11	2750	3750	2125	4600	700	53 kg
S2612A	12	3000	4000	2240	4850	700	58 kg
S2613A	13	3250	4250	2355	5100	700	63 kg

*The platform is included in the number of the steps
Measures are in mm



Description

The ladder is made of stainless steel and it is equipped with handrail. Platforms and steps are in anti-slip aluminum.

It is available in two versions:

- **S2P/A** (from 6 to 12 steps) four rotating wheels with brake lever.
- **S2P/F** (from 6 to 12 steps) four ground fixing plates

WARNING: with version S2P/A the user must activate the brake pedal before using the ladder.

Steps: they are mounted on aluminum die-casted supports with rungs and anti-torsion groove and they are fixed onto the frames.

WELD FREE AND RIVETING FREE

Technical Data

WEIGHT CAPACITY: 150 kg
(weight related to a person with tools)

FRAMES: stainless steel
(40x20, 60x20, 20x20 mm)

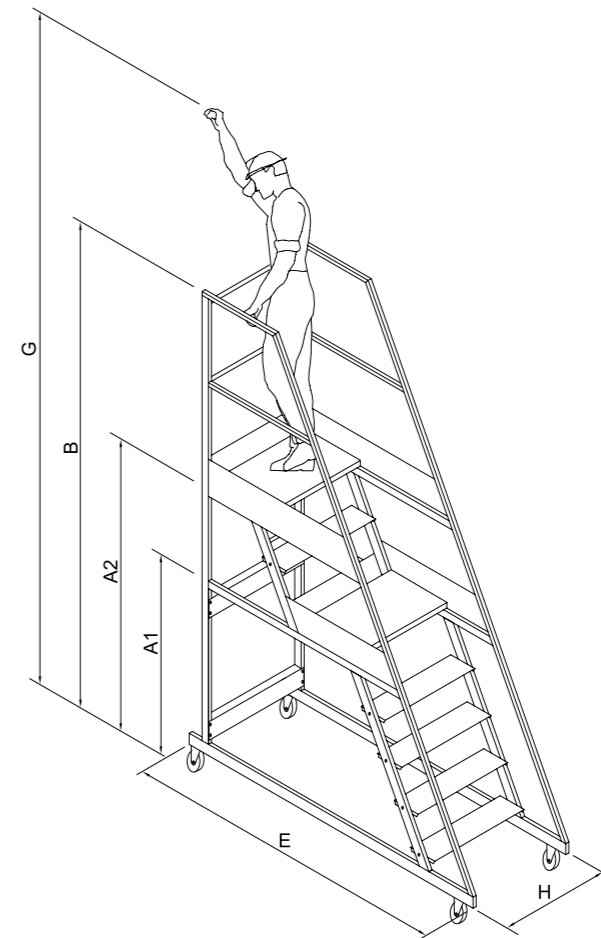
PLATFORMS: anti-slip aluminum
700x340 mm

WHEELS: rotating wheels with brake lever
Ø 125mm

STEPS: aluminum 150x23 mm

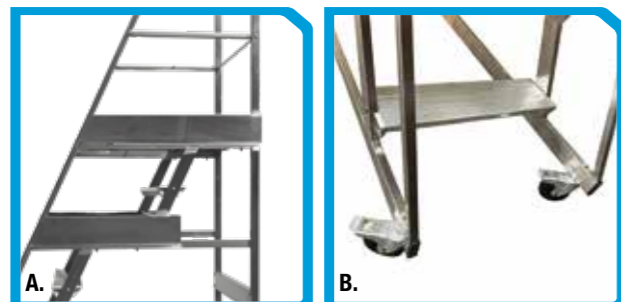
TOP WIDTH: 700 mm

SAFETY STANDARD: D. Lgs. n° 81/2008



Code	Steps*	A1	A2	B	E	G	H	Weight
S2506A	6	1000	1500	2500	1700	3350	700	35 kg
S2508A	8	1500	2000	3000	1920	3850	700	45 kg
S2510A	10	2000	2500	3500	2140	4350	700	55 kg
S2512A	12	2500	3000	4000	2360	4850	700	65 kg

To optimize transport the ladder can be supplied disassembled



A. Double platform
B. Rotating wheels with brake lever

* The platforms are included in the number of the steps
Measures are in mm



Description

The ladder is made of stainless steel. The platform and the steps are in anti-slip aluminum. The ladder is provided with handrail.

It is available in two versions:

- **DBR/A** (from 4 a to 13 steps): without wheels

- **DBR/AA** (from 4 to 13 steps): with 4 wheels with springs

STEPS: they are mounted on aluminum die-casted supports with rungs and anti-torsion groove and they are fixed onto the frames.

WELD FREE AND RIVETING FREE

Technical Data

WEIGHT CAPACITY: 150 kg (weight related to a person with tools)

FRAMES: stainless steel (60x20 mm + 40x20 mm + 30x15 mm)

PLATFORM: anti-slip aluminum 450x690 mm

WHEELS: wheels ø 100 mm

STEPS: aluminum 150x23 mm

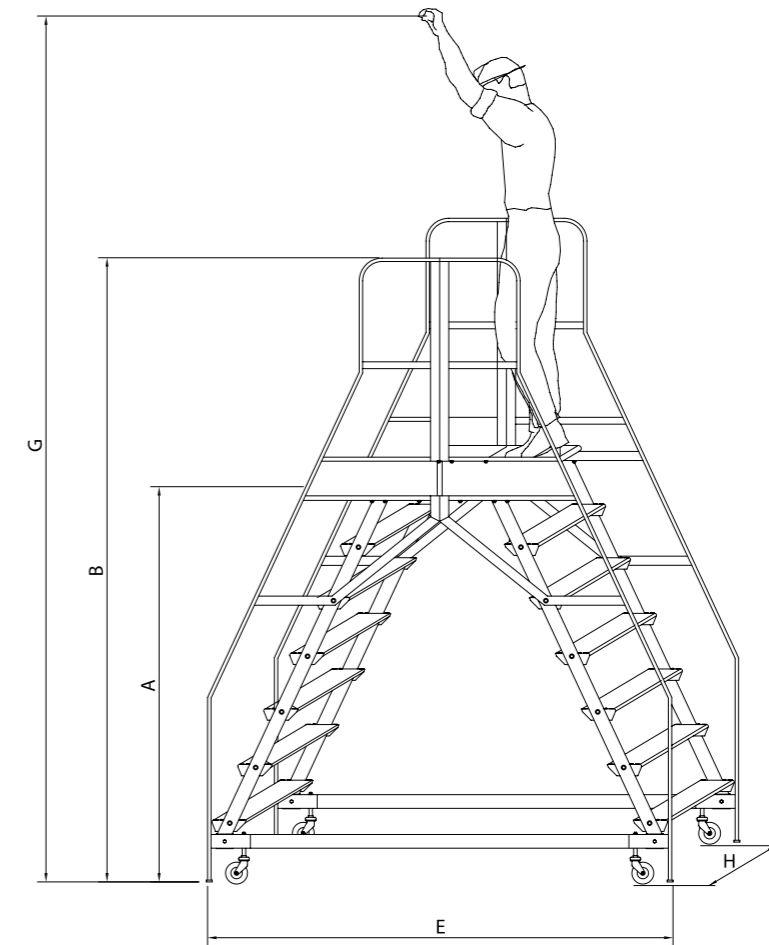
TOP WIDTH: 450 mm

SAFETY STANDARD:

D. Lgs. n° 81/2008

A. Anti-torsion support

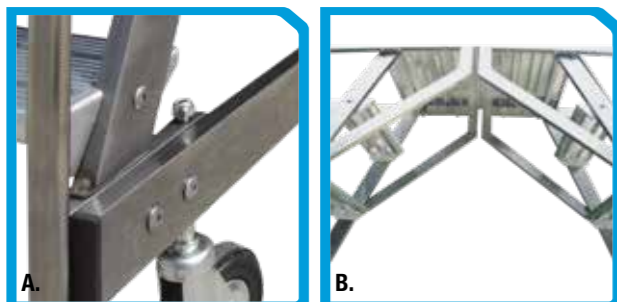
B. Platform structure



Code	Steps*	A	B	E	G	H	Weight
S0354A	4+4	1000	2000	1450	2850	600	48 kg
S0355A	5+5	1250	2250	1750	3100	620	55 kg
S0356A	6+6	1500	2500	2050	3350	640	62 kg
S0357A	7+7	1750	2750	2350	3600	660	69 kg
S0358A	8+8	2000	3000	2650	3850	680	75 kg
S0359A	9+9	2250	3250	2950	4100	700	82 kg
S0360A	10+10	2500	3500	3250	4350	720	88 kg
S0361A	11+11	2750	3750	3550	4600	740	95 kg
S0362A	12+12	3000	4000	3850	4850	760	102 kg
S0363A	13+13	3250	4250	4150	5100	780	109 kg

* The platform is included in the number of the steps
Measures are in mm

To optimize transport the ladder can be supplied disassembled





Description

The ladder is made of stainless steel. The platform and the steps are in anti slip aluminum. The ladder is provided with handrail.

It is particularly indicated for overcoming fixed obstacles or for controlling on board of installations of production processes.

On request there is the possibility to have ground fixing plates or 150 mm diameter rotating front wheels with brake.

STEPS: they are mounted on aluminum die-casted supports with rungs and anti-torsion groove and they are fixed onto the frames.

WELD FREE AND RIVETING FREE

Technical Data

WEIGHT CAPACITY: 300 kg
(weight related to a person with tools)

FRAMES: stainless steel
(60x30 mm + 60x20 mm + 30x15 mm)

PLATFORM: anti-slip aluminum
860x1320 mm

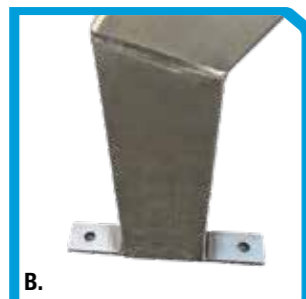
STEPS: aluminum 800x200 mm

TOP WIDTH: 860 mm

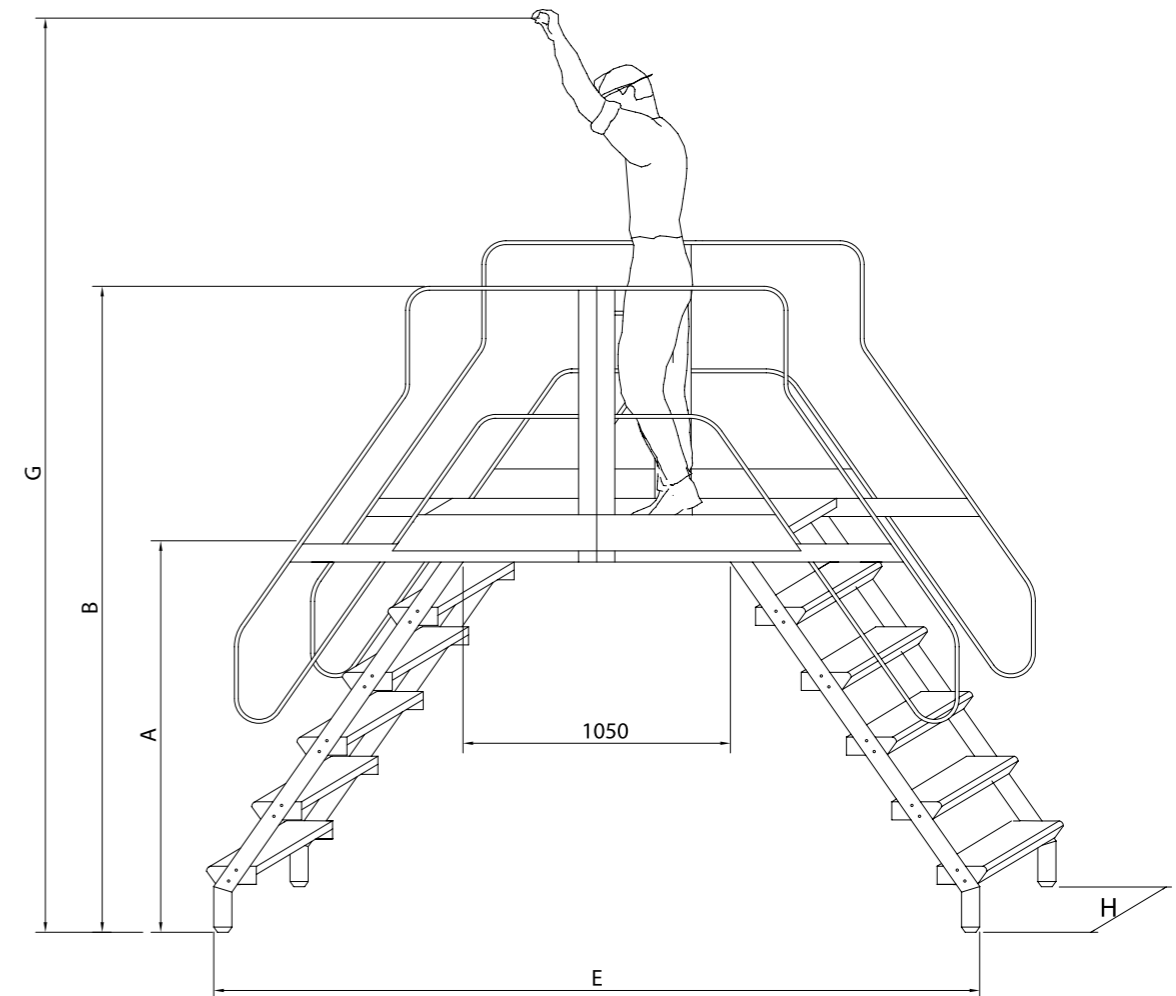
SAFETY STANDARD:

D. Lgs. n° 81/2008

To optimize transport the ladder can be supplied disassembled



- A. Step detail and platform
- B. Ground fixing plate detail
- C. Detail of rotating wheel with brake



Code	Steps*	A	B	E	G	H	Weight
S1253A	3+3	750	1750	1970	2600	860	110 kg
S1254A	4+4	1000	2000	2320	2850	860	120 kg
S1255A	5+5	1250	2250	2680	3100	860	130 kg
S1256A	6+6	1500	2500	3030	3350	860	140 kg
S1257A	7+7	1750	2750	3390	3600	860	150 kg
S1258A	8+8	2000	3000	3740	3850	860	160 kg
S1259A	9+9	2250	3250	4090	4100	860	170 kg
S1260A	10+10	2500	3500	4440	4350	860	180 kg
S1261A	11+11	2750	3750	4790	4600	860	190 kg
S1262A	12+12	3000	4000	5140	4850	860	200 kg

* The platform is included in the number of the steps
Measures are in mm



Description

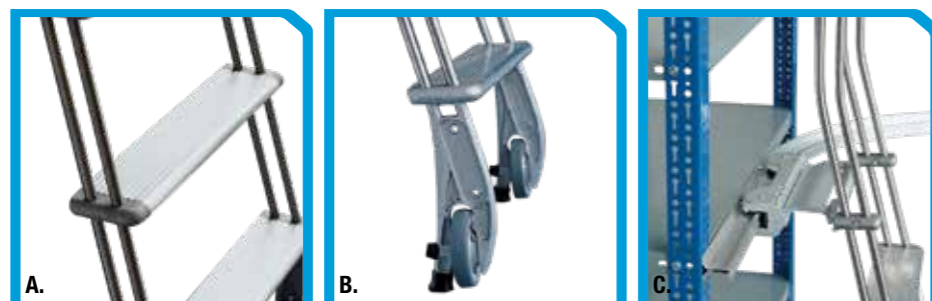
The ladder runs on a track of aluminum through a trolley with joint.
The trolley also allows you to adjust the inclination of the ladder as needed and according to the available spaces.
The ladder can slide on a linear or a curvilinear route.
Thanks to the nylon wheels, the movement results homogeneous, continuous and silent even in the curves.
The ladder can be moved only in resting position.
The steps and the aluminum attacks make it very solid and durable.
It can be applied on any furniture, wall or shelf.

STEPS: WELD FREE AND RIVETING FREE

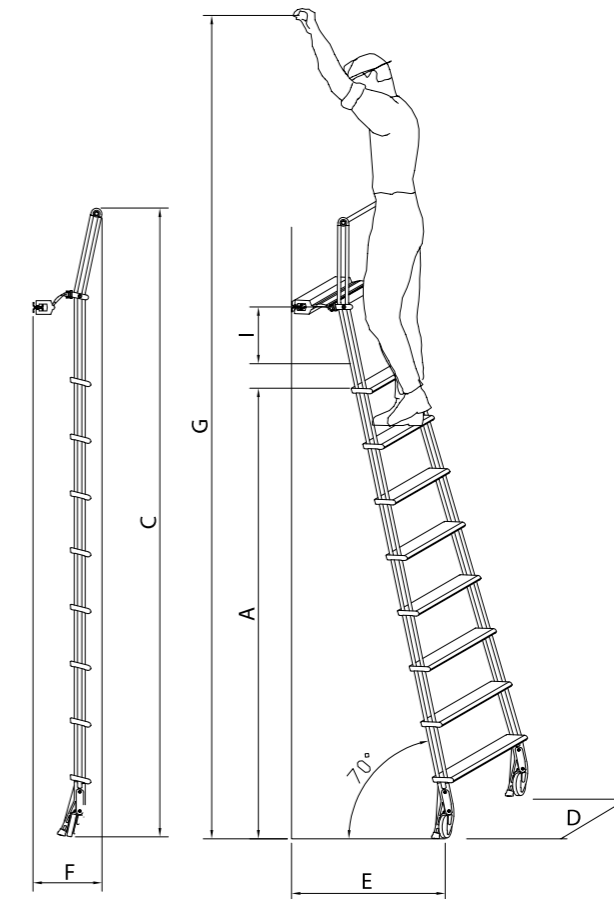
Technical Data

WEIGHT CAPACITY: 150 kg
(weight related to a person with tools)
FRAMES: stainless steel, double section \varnothing 15 mm
WHEELS: anti-trace rubber \varnothing 100 mm
STEPS: aluminum 95x23 mm
TOP WIDTH: 310 mm
SAFETY STANDARD:
UNI EN 131-2

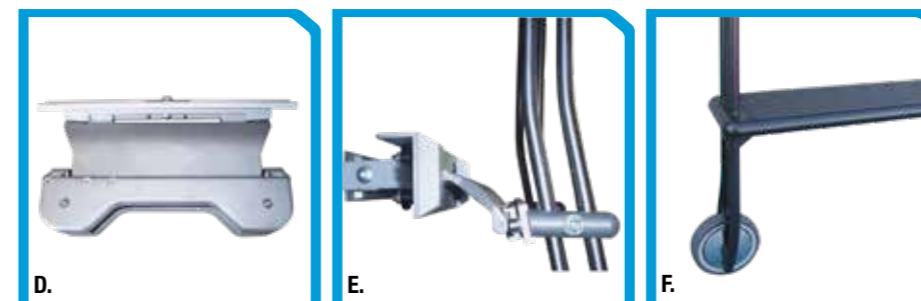
On this model hooks and handrails are optionally available



A. Step with joint
B. Foot with wheel
C. Curvilinear route



Code	Steps	A	C	D	E	F	G	I	Weight
S0105	5	1200	2000	560	600	270	3050	1370-1620	8,2 kg
S0106	6	1440	2250	580	660	270	3290	1610-1860	9,2 kg
S0107	7	1680	2500	600	720	270	3530	1850-2100	10,2 kg
S0108	8	1920	2750	620	780	270	3770	2090-2340	11,2 kg
S0109	9	2160	3000	640	840	270	4010	2330-2580	12,2 kg
S0110	10	2400	3250	660	900	270	4250	2570-2820	13,2 kg
S0111	11	2640	3500	680	960	270	4490	2810-3060	14,2 kg
S0112	12	2880	3750	700	1020	270	4730	3050-3300	15,2 kg
S0115	Aluminum rail 45x45								0,96 kg/m



Measures are in mm

D. Trolley with joint for curvilinear routes
E. Trolley with joint for linear routes
F. Painting on request



Description

The ladder runs on a track of aluminum through a trolley with joint. The trolley also allows you to adjust the inclination of the ladder as needed and according to the available spaces. The ladder can slide on a linear or a curvilinear route. Thanks to the nylon wheels, the movement results homogeneous, continuous and silent even in the curves. The ladder can be moved only in resting position. The steps and the aluminum attacks make it very solid and durable. It can be applied on any furniture, wall or shelf.

It is available in two versions:

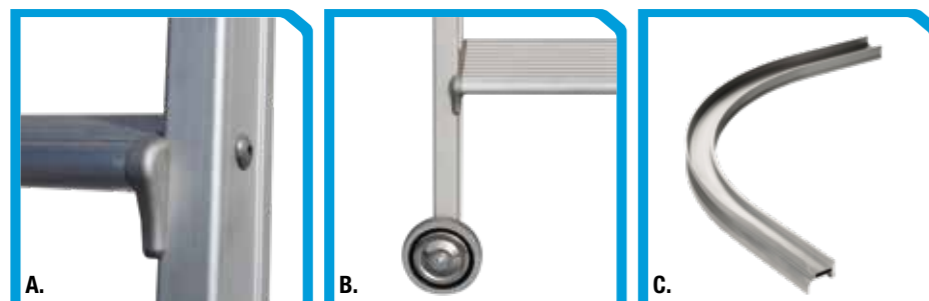
- F12 with rungs 35x24 mm
- F12/P with steps 95x23 mm

STEPS: WELD FREE AND RIVETING FREE

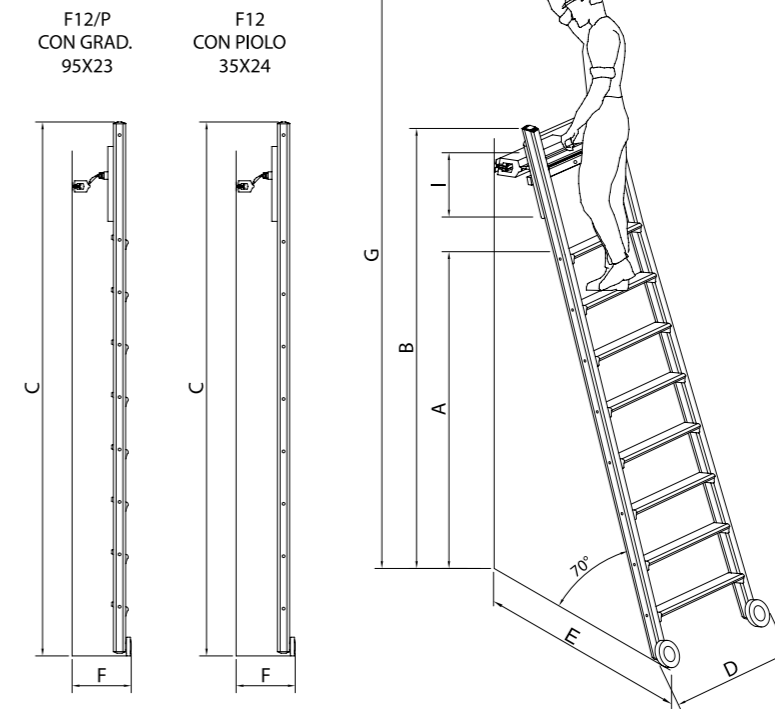
Technical Data

WEIGHT CAPACITY: 150 kg (weight related to a person with tools)
FRAMES: aluminum 65x30 mm
WHEELS: rubber anti trace ø 100 mm
STEPS: aluminum 95x23 mm in the version F12/P
RUNGS: aluminum 35x24 mm in the version F12
TOP WIDTH:
 • Version F12 = 440 mm
 • Version F12/P = 440 mm
SAFETY STANDARD:
 D. Lgs. n° 81/2008

On this model hooks and handrails are optionally available

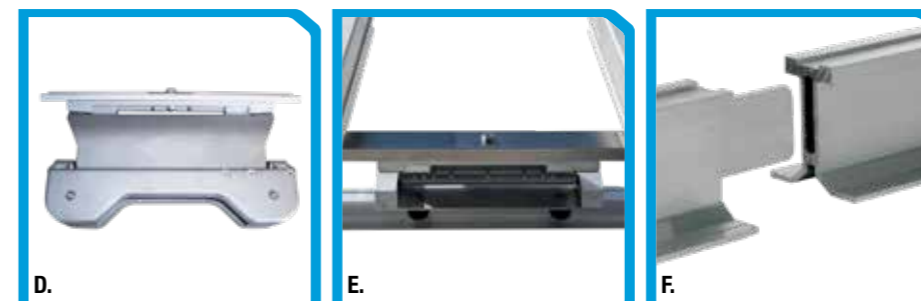


A. Step with joint
 B. Foot with wheel
 C. Curvilinear route



Code	A	B	C	D	E	F	G	I	Weight
S2205	1320	1900	2020	510* 610**	790	320	2900	1450 - 1770	8kg* 8,5kg**
S2206	1580	2160	2300	510* 630**	870	320	3160	1730- 2050	8,8kg* 9kg**
S2207	1840	2420	2580	510* 650**	950	320	3420	2010- 2330	9,6kg* 10,2kg**
S2208	2100	2680	2860	510* 670**	1030	320	3680	2290- 2610	10,4kg* 11,5kg**
S2209	2360	2940	3140	510* 690**	1110	320	3940	2570- 2890	11,2kg* 12,7kg**
S2210	2620	3210	3420	510* 710**	1190	320	4210	2850- 3170	12kg* 13,9kg**
S2211	2890	3470	3700	510* 730**	1270	320	4470	3130- 3450	12,8kg* 15,1kg**
S2212	3150	3730	3980	510* 750**	1350	320	4730	3410- 3730	13,6kg* 16,4kg**
S2213	3410	4000	4260	510* 770**	1430	320	5000	3690- 4010	14,4kg* 17,7kg**
S2214	3670	4260	4540	510* 790**	1510	320	5260	3970- 4290	15,2kg* 19kg**
S2215	3940	4520	4820	510* 810**	1590	320	5520	4250- 4570	16kg* 20,3kg**
S0115	Aluminum rail 45x45 mm								0,96 kg/m

* Dimensions refer to F12 with rungs 35x24 - ** Dimensions refer to F12/P with steps 95x23 - Measures are in mm



D. Trolley with joint for curvilinear routes
 E. Trolley with joint for linear routes
 F. Rail and connector



Description

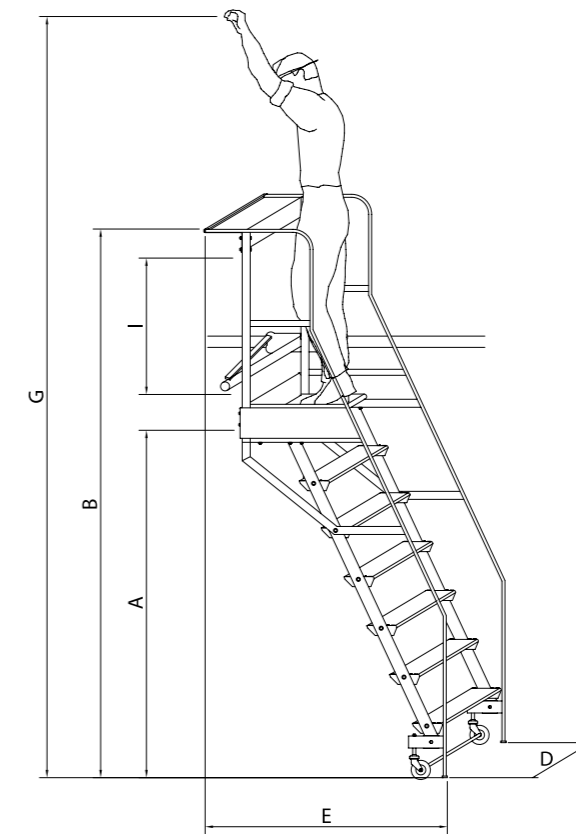
The ladder runs on a track of aluminum through a trolley with joint. The trolley allows linear movements thanks to 12 ball bearings and it can be blocked by a hand wheel. It is built with stainless steel frame, anti-slip aluminum steps and platform and it is equipped with handrail. It can be applied on any furniture, wall or shelf.

STEPS: they are mounted on aluminum die-casted supports with rungs and anti-torsion groove and they are fixed onto the frames.

WELD FREE AND RIVETING FREE

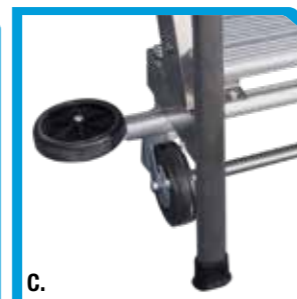
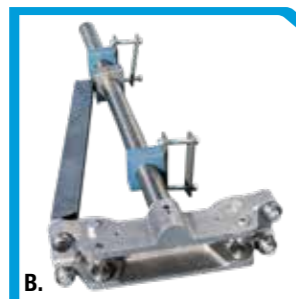
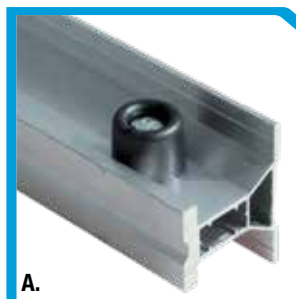
Technical Data

WEIGHT CAPACITY: 150 kg
(weight related to a person with tools)
FRAMES: stainless steel
(60x20 mm + 40x20 mm + 30x15 mm)
PLATFORM: anti-slip aluminum
450x340 mm
WHEELS: ø 100 mm with spring
STEPS: aluminum 150x23 mm
TOP WIDTH: 450 mm
SAFETY STANDARD:
UNI EN 131-2

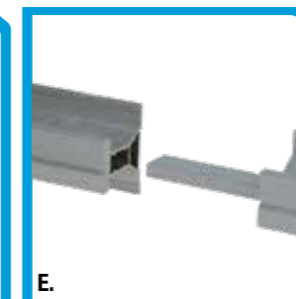
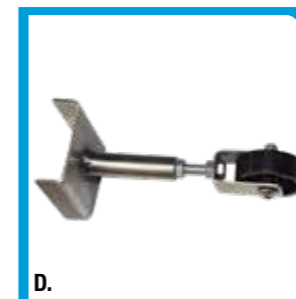


Code	Steps*	A	B	D**	E	G	I	Weight
S0204A	4	1000	2000	660	750	2850	1100-1780	23 kg
S0205A	5	1250	2250	680	900	3100	1350-2030	26 kg
S0206A	6	1500	2500	700	1050	3350	1600-2280	29 kg
S0207A	7	1750	2750	720	1200	3600	1850-2530	32 kg
S0208A	8	2000	3000	740	1350	3850	2100-2780	35 kg
S0209A	9	2250	3250	760	1500	4100	2350-3030	38 kg
S0210A	10	2500	3500	780	1650	4350	2600-3280	41 kg
S0211A	11	2750	3750	800	1800	4600	2850-3530	44 kg
S0212A	12	3000	4000	820	1950	4850	3100-3780	47 kg
S0213A	13	3250	4250	840	2100	5100	3350-4030	50 kg
S0215	Aluminum track 70x55 mm							1,8kg/m

This model can also be supplied with front trolley



A. Stop rubber kit
B. SL Trolley
C. Lower sliding wheel



* The platform is included in the number of steps
** Minimum required space from the wall (without rail spacers)
Measures are in mm

D. Lateral sliding kit
E. Rail and connector



This model can also be supplied with front trolley

Description

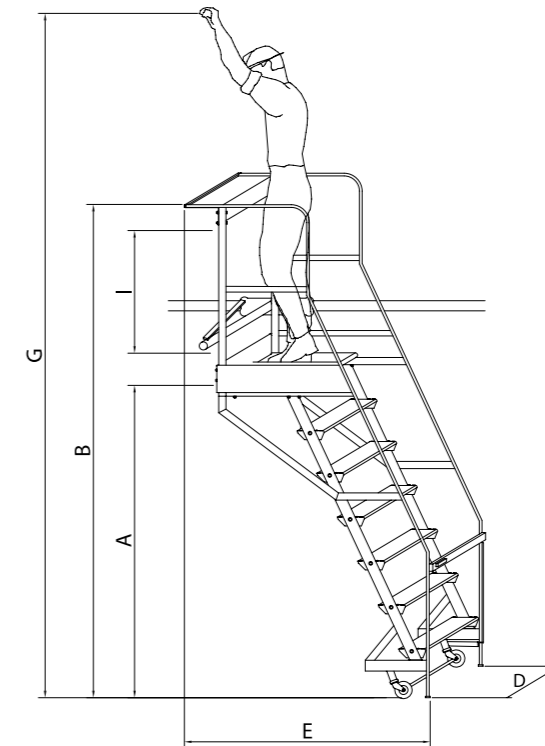
The ladder runs on a track of aluminum through a trolley with joint. The trolley allows linear movements thanks to 12 ball bearings and it can be blocked by a hand wheel. It is built with stainless steel frame, anti-slip aluminum steps and platform and it is equipped with handrail. It can be applied on any furniture, wall or shelf. For safe use the ladder is provided with a steel front gate manually activated. For a linear sliding of the ladder it is recommended to apply a lower sliding kit to the step section frame.

STEPS: they are mounted on aluminum die-casted supports with rungs and anti-torsion groove and they are fixed onto the frames.

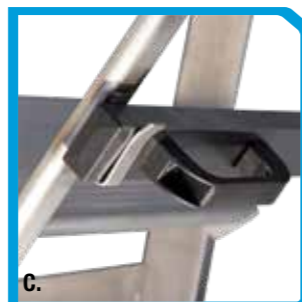
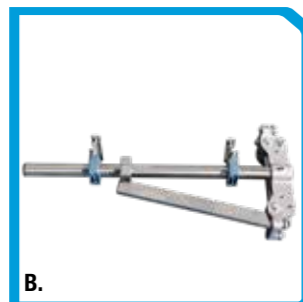
WELD FREE AND RIVETING FREE

Technical Data

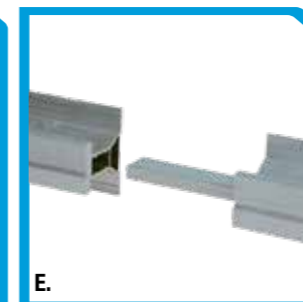
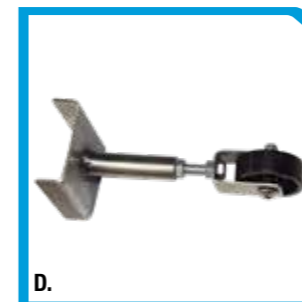
WEIGHT CAPACITY: 150 kg
(weight related to a person with tools)
FRAMES: stainless steel
(60x20 mm + 40x20 mm + 30x15 mm)
PLATFORM: anti-slip aluminum
490x490 mm
WHEELS: ø 100 mm with device
STEPS: aluminum 150x23 mm
TOP WIDTH: 490 mm
SAFETY STANDARD:
D. Lgs. n° 81/2008



Code	Steps*	A	B	G	E	D**	I	Weight
S1504A	4	1000	2000	2850	900	700	1100-1780	28kg
S1505A	5	1250	2250	3100	1050	720	1350-2030	31kg
S1506A	6	1500	2500	3350	1200	740	1600-2280	34kg
S1507A	7	1750	2750	3600	1350	760	1850-2530	37kg
S1508A	8	2000	3000	3850	1500	780	2100-2780	40kg
S1509A	9	2250	3250	4100	1650	800	2350-3030	43kg
S1510A	10	2500	3500	4350	1800	820	2600-3280	46kg
S1511A	11	2750	3750	4600	1950	840	2850-3530	49kg
S1512A	12	3000	4000	4850	2100	860	3100-3780	52kg
S1513A	13	3250	4250	5100	2250	880	3350-4030	55kg
S1514A	14	3500	4500	5350	2400	900	3600-4280	58kg
S1515A	15	3750	4750	5600	2550	920	3850-4530	61kg
S1516A	16	4000	5000	5850	2700	940	4100-4780	64kg
S0215	Aluminum track 70x55 mm							1,8kg/m



A. Steel front gate
B. SLC trolley
C. SLC handle



* The platform is included in the number of steps
** Minimum required space from the wall (without rail spacers)
Measures are in mm

D. Lateral sliding kit
E. Rail and connector



Description

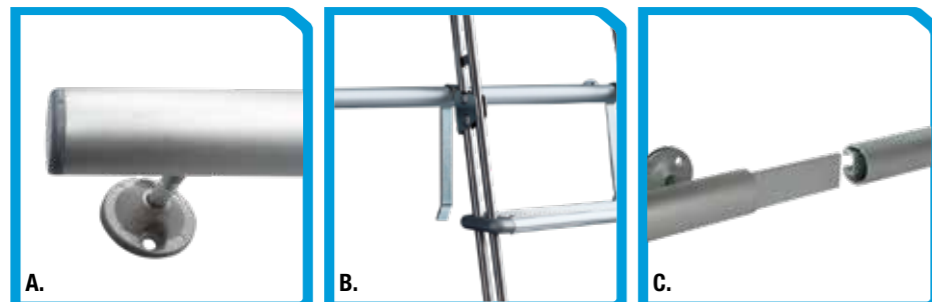
The ladder is made with a double stainless steel tube frame and aluminum steps. It can be applied on any furniture, wall or shelf. It is equipped with a convenient guard rail with height of 650 mm. It is light, practical and durable and it offers the possibility to adjust the height of the steel hooks.

STEPS: WELD FREE AND RIVETING FREE

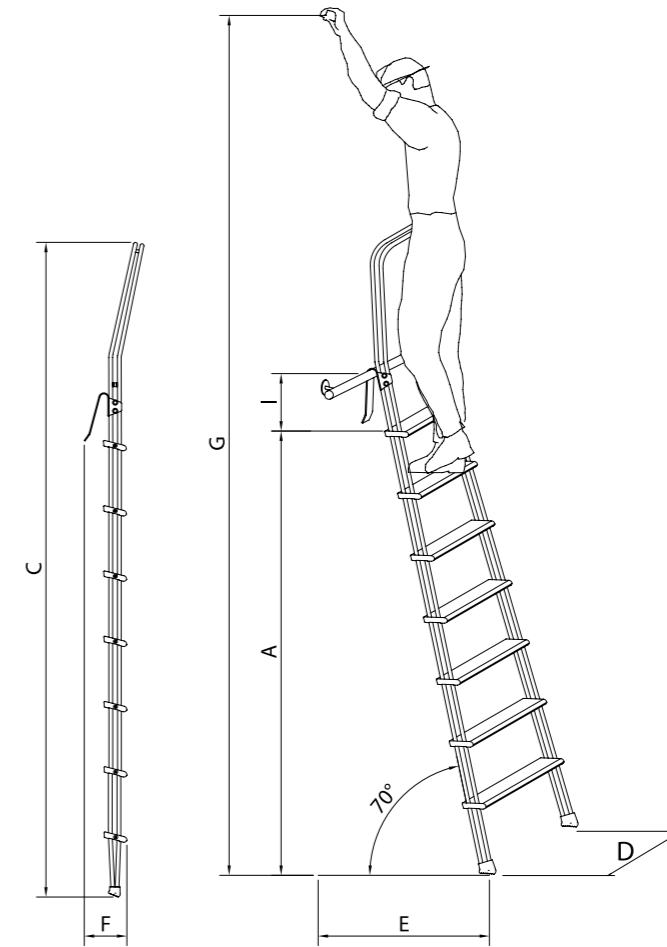
Technical Data

WEIGHT CAPACITY: 150 kg
(weight related to a person with tools)
STEPS: anti-slip aluminum 95x23 mm
FRAMES: stainless steel, double section \varnothing 15 mm
TOP WIDTH: 290 mm
SAFETY STANDARD: UNI EN 131-2

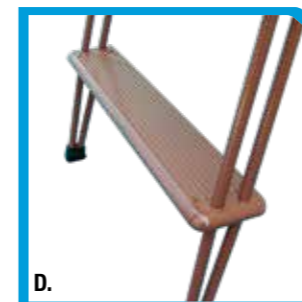
On this model handrails are optionally available



A. Spacer and limit stop
B. Adjustable hooks
C. Joint for rails connection



Code	Steps	A	C	D	E	F	G	I	Weight
S0506A	6	1480	2250	470	480	170	3330	1500-1750	7,4 kg
S0507A	7	1720	2500	490	550	170	3570	1750-2000	8,4 kg
S0508A	8	1960	2750	510	620	170	3810	2000-2250	9,4 kg
S0509A	9	2200	3000	530	690	170	4050	2250-2500	10,4 kg
S0510A	10	2440	3250	550	760	170	4290	2500-2750	11,4 kg
S0511A	11	2680	3500	570	830	170	4530	2750-3000	12,4 kg
S0512A	12	2920	3750	590	900	170	4770	3000-3250	13,4 kg
S0515	Anodized aluminum rail \varnothing 30 mm								0,60 kg/m



Measures are in mm

D. Painting on request



Description

The ladder is made with aluminum frames and anti-slip aluminum steps. It can be applied on any furniture, wall or shelf.

The ladder is equipped with a convenient guard rail.

It is light, practical and durable and it offers the possibility to adjust the height of the steel hooks.

STEPS: they are mounted on aluminum die-casted supports with rungs and anti-torsion groove and they are fixed onto the frames.

WELD FREE AND RIVETING FREE

Technical Data

WEIGHT CAPACITY: 150 kg
(weight related to a person with tools)

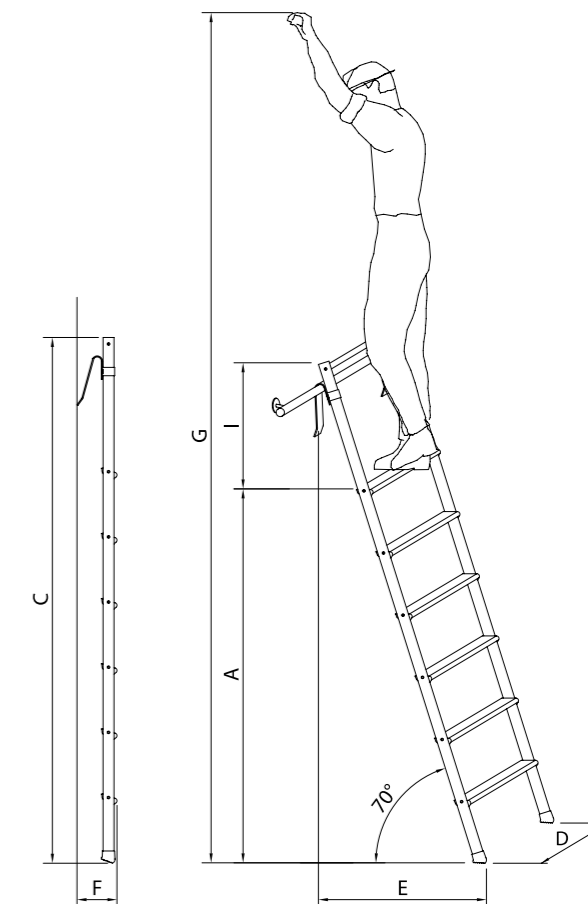
STEPS: anti-slip aluminum 95x23 mm

FRAMES: anodized aluminum
42x22 mm

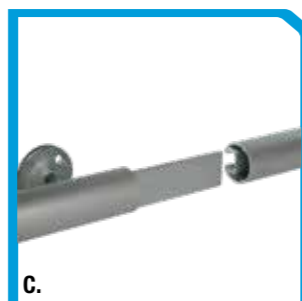
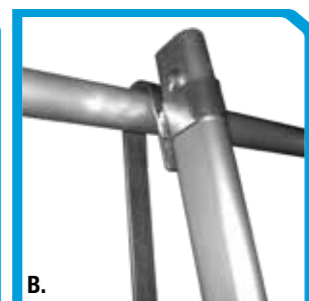
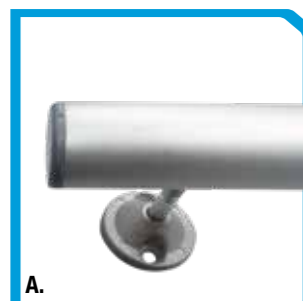
TOP WIDTH: 340 mm

SAFETY STANDARD:

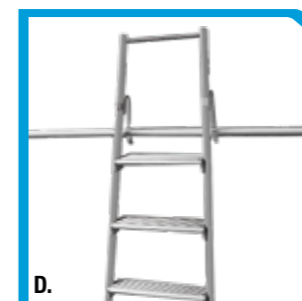
D. Lgs. n° 81/2008



Code	Steps	A	C	D	E	F	G	I	Weight
S0705P	5	1220	1750	490	670	170	3070	1410-1640	4 kg
S0706P	6	1450	2000	510	760	170	3300	1640-1870	5 kg
S0707P	7	1680	2250	530	850	170	3530	1870-2100	6 kg
S0708P	8	1910	2500	550	940	170	3760	2100-2330	7 kg
S0709P	9	2140	2750	570	1030	170	3990	2330-2560	8 kg
S0710P	10	2370	3000	590	1120	170	4220	2560-2790	9 kg
S0711P	11	2600	3250	610	1210	170	4450	2790-3020	10 kg
S0712P	12	2830	3500	630	1300	170	4680	3020-3250	11 kg
S0515	Anodized aluminum rail ø 30 mm								0,60 kg/m



A. Spacer and limit stop
B. Adjustable hooks
C. Joint for rails connection



Measures are in mm

D. Ladder in resting position



Description

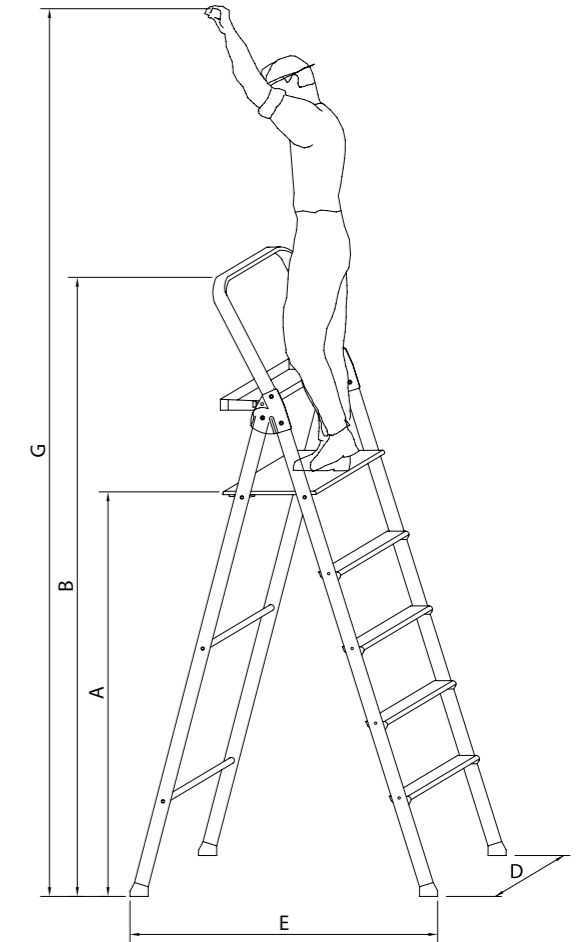
The ladder has a single climb ramp. It is made of aluminum with anodized aluminum frames and anti-slip steps. It is light, practical, durable and particularly suitable for professional use. It provides to operator an excellent comfort. It is equipped with a convenient guard rail with height of 640 mm.

STEPS: they are mounted on aluminum die-casted supports with rungs and anti-torsion groove and they are fixed onto the frames.

WELD FREE AND RIVETING FREE

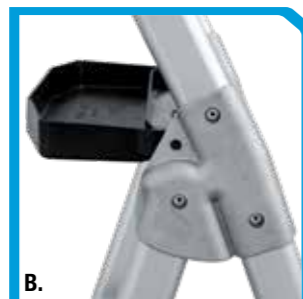
Technical Data

WEIGHT CAPACITY: 150 kg
(weight related to a person with tools)
PLATFORM: anti-slip aluminum
270x260 mm
STEPS: aluminum 95x23 mm
FRAMES: anodized aluminum 42x22 mm
OBJECTS HOLDER: nylon tray
HINGE JOINT: aluminum die-cast
TOP WIDTH: 320 mm
SAFETY STANDARD:
UNI EN 131-2

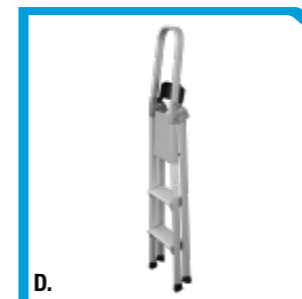


Code	Steps*	A	B	C	D	E	F	G	Weight
S0603	3	720	1360	1470	450	750	130	2570	5,5 kg
S0604	4	960	1600	1720	475	910	130	2810	6,5 kg
S0605	5	1200	1840	1970	500	1070	130	3050	8 kg
S0606	6	1440	2080	2220	525	1230	130	3290	9 kg
S0607	7	1680	2320	2470	550	1390	130	3530	10 kg
S0608	8	1920	2560	2720	575	1550	130	3770	11 kg

* The platform is included in the number of steps - Measures are in mm



A. Objects holder and platform
B. Die casted hinge
C. Different heights



D. Ladder in resting position



Description

The ladder has two climb ramps and it is very solid. It has anodized aluminum frames and anti-slip steps. It is practical and durable and it provides to operator an excellent comfort.

STEPS: they are mounted on aluminum die-casted supports with rungs and antitorsion groove and they are fixed onto the frames.

WELD FREE AND RIVETING FREE

Technical Data

WEIGHT CAPACITY: 150 kg
(weight related to a person with tools)

STEPS: aluminum 95x23 mm

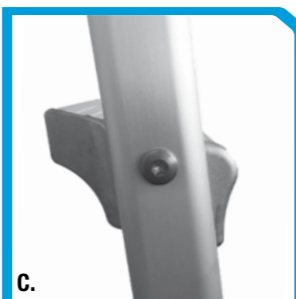
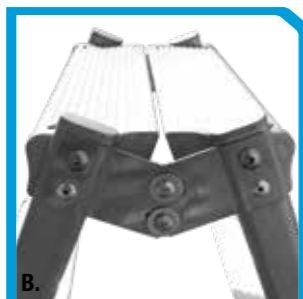
FRAMES: anodized aluminum
42x22 mm

HINGE JOINT: stainless steel

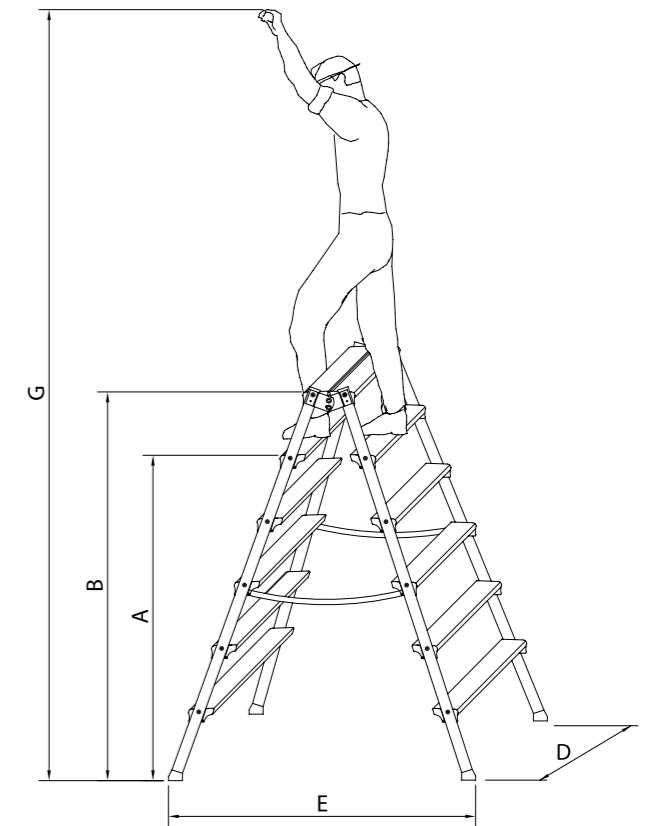
TOP WIDTH: 350 mm

SAFETY STANDARD:

D. Lgs. n° 81/2008



- A. Particular of platform
- B. Anti-opening hinge joint
- C. Particular of steps



Code	Steps	A	B	C	D	E	F	G	Weight
S1902	2+2	260	520	550	450	580	200	2010	5,2 kg
S1903	3+3	500	750	800	475	750	200	2250	6,1 kg
S1904	4+4	730	990	1050	500	920	200	2480	7 kg
S1905	5+5	970	1220	1300	525	1090	200	2720	7,9 kg
S1906	6+6	1200	1460	1550	550	1260	200	2950	8,8 kg
S1907	7+7	1430	1690	1800	575	1430	200	3180	9,7 kg
S1908	8+8	1670	1930	2050	600	1600	200	3420	10,6 kg
S1909	9+9	1900	2160	2300	625	1770	200	3650	11,5 kg
S1910	10+10	2140	2400	2550	650	1940	200	3890	12,4 kg
S1911	11+11	2370	2630	2800	675	2210	200	4120	13,3 kg
S1912	12+12	2610	2870	3050	700	2280	200	4360	14,2 kg

Measures are in mm



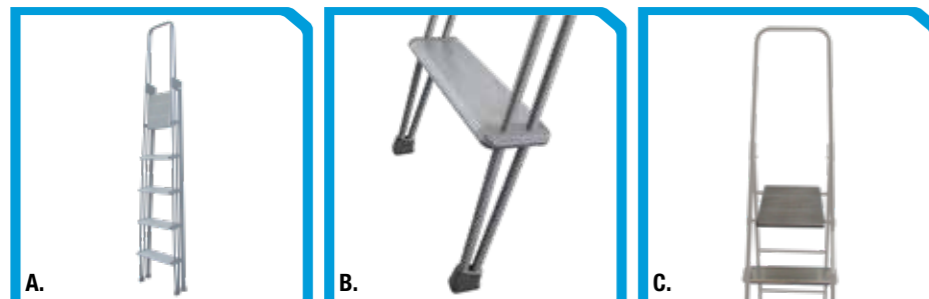
Description

The ladder has a single climb ramp, with double tube in steel and anti-slip aluminum steps. It is equipped with a comfortable guard rail which is 750 mm high.

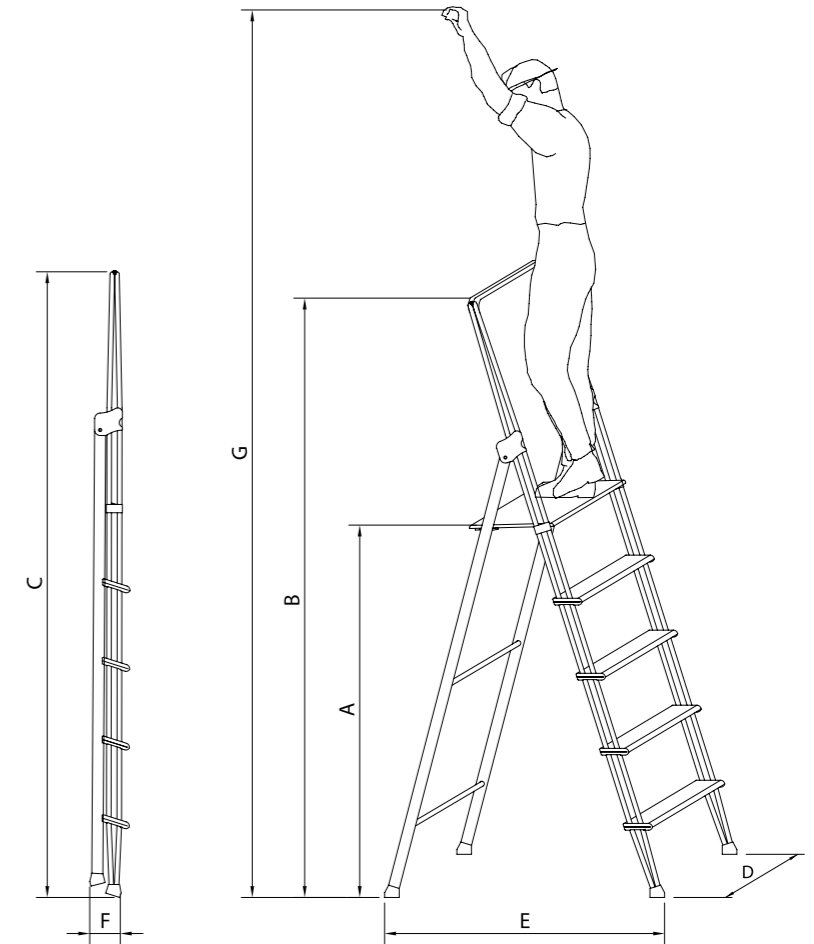
STEPS: WELD FREE AND RIVETING FREE

Technical Data

WEIGHT CAPACITY: 150 kg
(weight related to a person with tools)
PLATFORM: anti-slip aluminum
270x260 mm
STEPS: aluminum 95x23 mm
FRAMES: steel, double section
ø 15 mm
HINGE JOINT: stainless steel
TOP WIDTH: 260 mm
SAFETY STANDARD:
D. Lgs. n° 81/2008



A. Ladder in resting position
B. Feet and step detail
C. Guard rail



Code	Steps*	A	B	C	D	E	F	G	Weight
S0404	4	960	1680	1760	440	800	130	2850	8,8 kg
S0405	5	1200	1910	2010	460	950	130	3100	10 kg
S0406	6	1440	2150	2260	480	1100	130	3350	11,4 kg
S0407	7	1680	2400	2510	500	1230	130	3600	12,8 kg
S0408	8	1910	2630	2800	520	1400	130	3850	14,2 kg
S0409	9	2150	2870	3050	540	1540	130	4100	15,6 kg
S0410	10	2390	3110	3260	560	1690	130	4350	17,2 kg
S0411	11	2630	3360	3510	580	1840	130	4600	18,6 kg
S0412	12	2860	3590	3760	600	2020	130	4850	20,4 kg

* The platform is included in the number of steps - Measures are in mm



Description

The ladder has a single climb ramp and it is very solid. It has anodized aluminum frames and anti-slip aluminum steps. It is particularly suitable for professional use, it is practical and durable and it provides to operator an excellent comfort. The ladder has a comfortable guard rail with height of 650 mm.

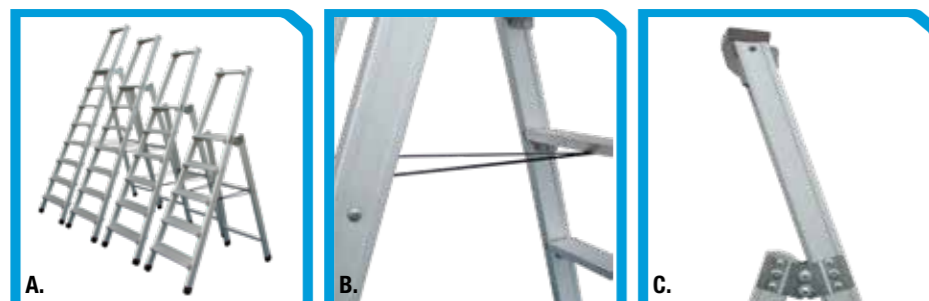
STEPS: they are mounted on aluminum die-casted supports with rungs and anti-torsion groove and they are fixed onto the frames.

WELD FREE AND RIVETING FREE

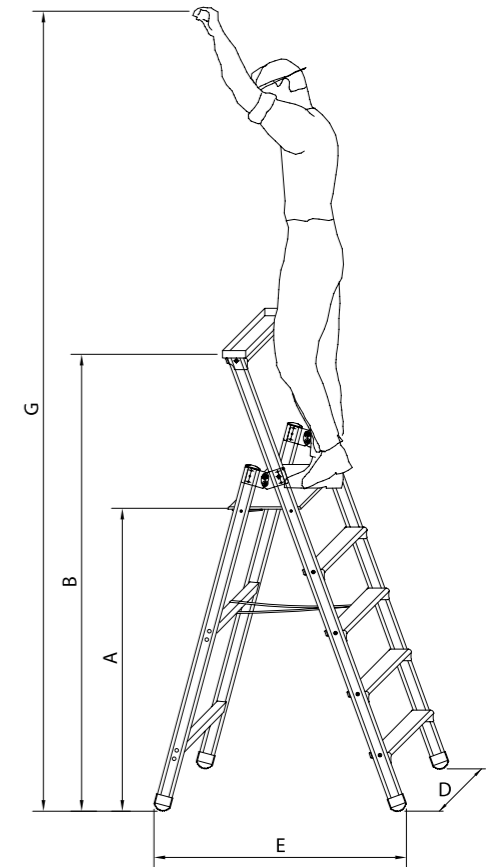
Technical Data

WEIGHT CAPACITY: 150 kg
(weight related to a person with tools)
PLATFORM: anti-slip aluminum 270x260 mm
STEPS: aluminum 95x23 mm
FRAMES: aluminum 65x30 mm
OBJECT HOLDER: in aluminum
HINGE JOINT: stainless steel
TOP WIDTH: 330 mm
SAFETY
UNI EN 131-2
D. Lgs. n° 81/2008 for S1311-12

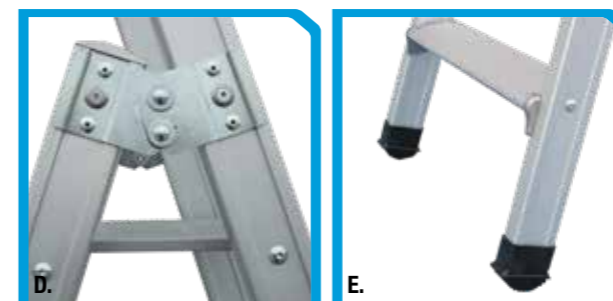
This model can also be supplied with handrail.



A. Different heights
B. Anti-opening tape
C. Guard rail detail



Codice	Steps*	A	B	C	D	E	F	G	Weight
S1302	2	510	1210	1260	470	630	180	2200	6,8 kg
S1303	3	780	1470	1540	500	790	180	2500	8,4 kg
S1304	4	1050	1730	1820	530	950	180	2800	10 kg
S1305	5	1320	1990	2100	560	1110	180	3100	11,6 kg
S1306	6	1590	2250	2380	590	1270	180	3440	13,2 kg
S1307	7	1860	2510	2660	620	1450	180	3710	14,8 kg
S1308	8	2110	2770	2940	650	1650	180	3960	16,4 kg
S1309	9	2360	3030	3220	680	1850	180	4210	18,2 kg
S1310	10	2640	3300	3500	710	2010	180	4490	20 kg
S1311**	11	2920	3570	3780	740	2170	180	4770	21,8 kg
S1312**	12	3200	3840	4060	770	2330	180	5050	23,6 kg



* The platform is included in the number of steps
**Complying with D. Lgs. n° 81/2008
Measures are in mm

D. Anti-opening hinge joint
E. Anti-slip rubber caps



Description

The ladder has two climb ramps and it is very solid. It has anodized aluminum frames and anti-slip aluminum steps. It is practical and durable and it provides to operator an excellent comfort.

STEPS: they are mounted on aluminum die-casted supports with rungs and anti-torsion groove and they are fixed onto the frames.

WELD FREE AND RIVETING FREE

Technical Data

WEIGHT CAPACITY: 150 kg
(weight related to a person with tools)

STEPS: aluminum 95x23 mm

FRAMES: aluminum 65x30 mm

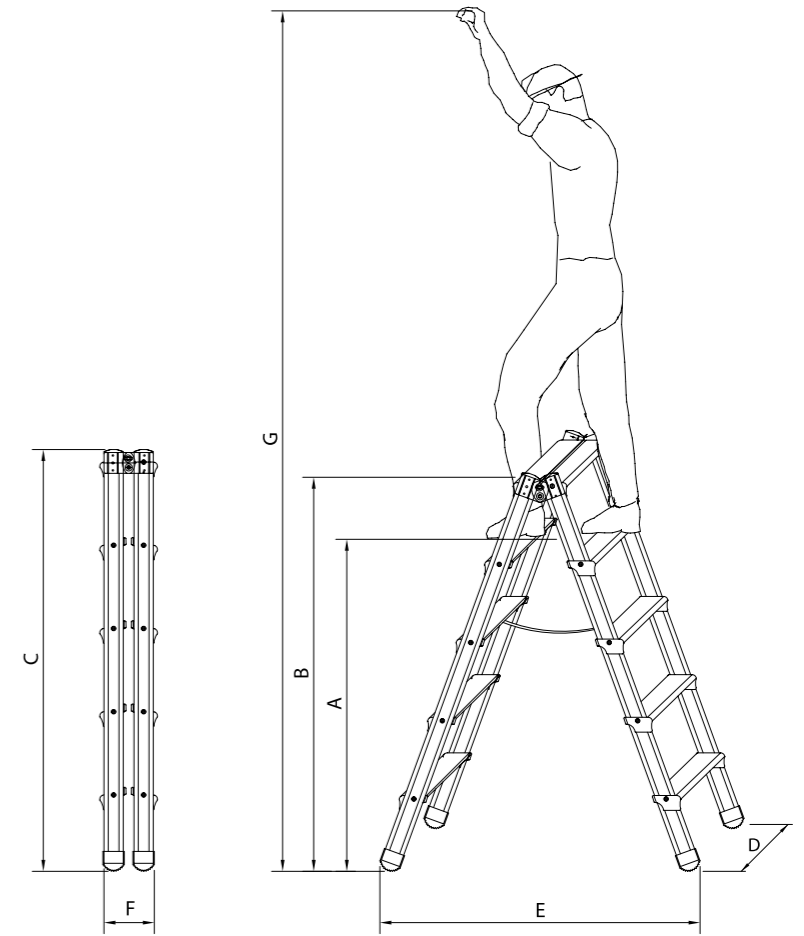
HINGE JOINT: stainless steel

TOP WIDTH: 400 mm

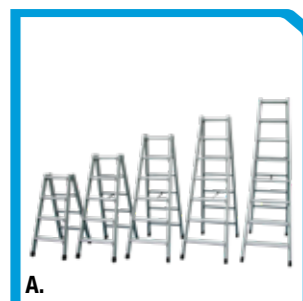
SAFETY STANDARD:

UNI EN 131-2

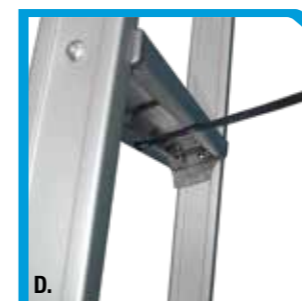
D. Lgs. n° 81/2008 for S1122-24



Code	Steps	A	B	C	D	E	F	G	Weight
S1108	4+4	790	1100	1140	530	860	200	2550	9 kg
S1110	5+5	1050	1360	1420	560	1050	200	2810	11 kg
S1112	6+6	1320	1630	1700	590	1210	200	3080	13 kg
S1114	7+7	1590	1900	1980	620	1370	200	3350	15,2 kg
S1116	8+8	1850	2160	2260	650	1570	200	3610	17,4 kg
S1118	9+9	2120	2430	2540	680	1760	200	3880	19,6 kg
S1120	10+10	2380	2690	2820	710	1920	200	4140	21,8 kg
S1122*	11+11	2640	2950	3100	740	2110	200	4400	24 kg
S1124*	12+12	2900	3210	3380	770	2300	200	4660	26 kg



A. Different heights
B. Anti-slip rubber caps
C. Anti-opening hinge



* Complying with D. Lgs. n° 81/2008
Measures are in mm

D. Anti-opening tape



Description

The ladder has a trunk of climb and it is very solid. It has anodized aluminum frames and anti-slip steps. It is different from the standard model because it has deeper steps (150 mm). It is practical and durable and it provides to operator an excellent comfort. The ladder has a comfortable guard rail with height of 680 mm.

STEPS: they are mounted on aluminum die-casted supports with rungs and anti-torsion groove and they are fixed onto the frames.

WELD FREE AND RIVETING FREE

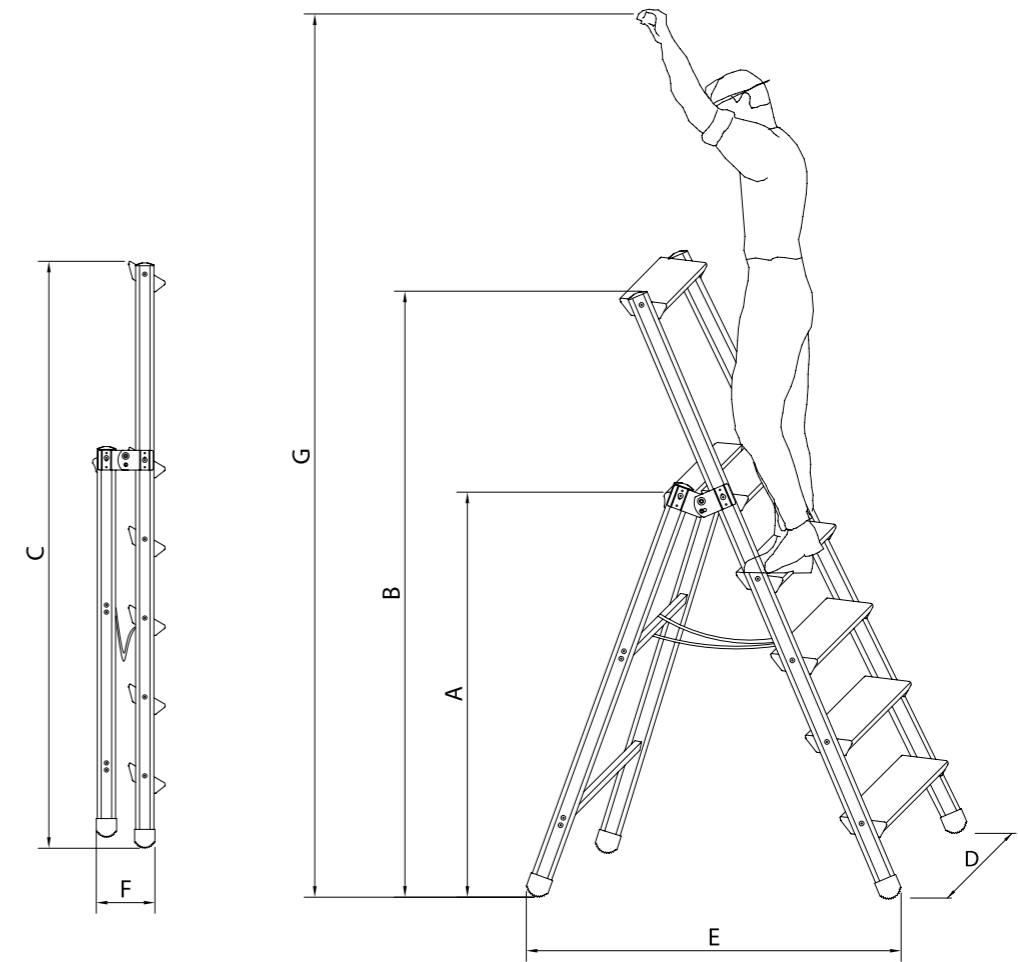
Technical Data

WEIGHT CAPACITY: 150 kg
(weight related to a person with tools)
PLATFORM: aluminum 385x265 mm
STEPS: aluminum 150x23 mm
FRAMES: aluminum 65x30 mm
OBJECT HOLDER: aluminum 320x150 mm
HINGE JOINT: stainless steel
TOP WIDTH: 380 mm
SAFETY STANDARD
D. Lgs. n° 81/2008

This model can also be supplied with handrail.

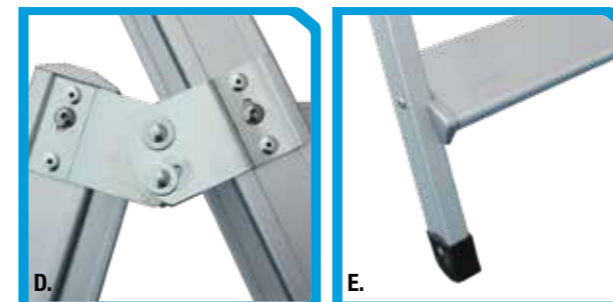


A. Different heights
B. Anti-opening tape
C. Guard rail



Code	Steps*	A	B	C	D	E	F	G	Weight
S1402	2	540	1170	1230	510	610	260	2350	10,4 kg
S1403	3	790	1420	1510	540	800	260	2630	11,6 kg
S1404	4	1040	1670	1790	570	990	260	2880	13 kg
S1405	5	1290	1920	2070	600	1180	260	3130	14,6kg
S1406	6	1540	2170	2350	630	1370	260	3390	16,8kg
S1407	7	1790	2420	2630	660	1580	260	3640	19kg
S1408	8	2040	2680	2910	690	1770	260	3890	21,4kg

* The platform is included in the number of steps - Measures are in mm



D. Anti-opening hinge joint
E. Anti-slip rubber caps

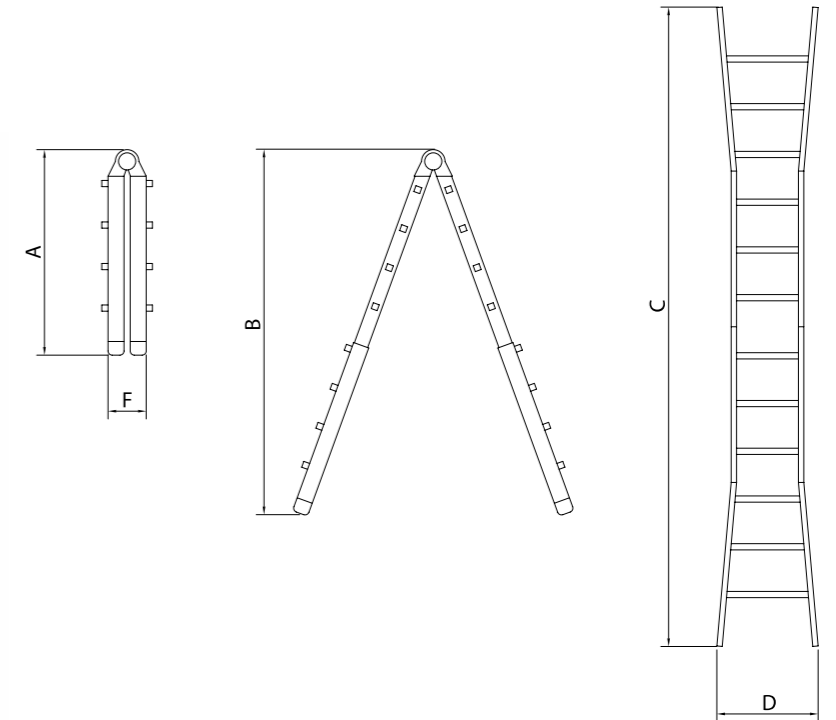
Description

It is a very solid multiuse ladder with two climb ramps. It has aluminum sides and anti-slip aluminum steps. It is particularly suitable for professional use; it is practical and light and it provides to operator an excellent comfort. It can be used as support ladder, as tripod ladder and as lame ladder (2 different base surfaces). The ladder has a stabilizer bar.

Steps: anti-slip aluminum pegs.

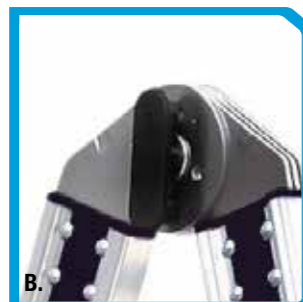
Technical Data

WEIGHT CAPACITY: 150 kg
(weight related to a person with tools)
STEPS: anti-slip aluminum 30x30mm
SIDES:
• Upper side 68x25mm
• Lower side 77x26mm
HINGES: aluminum lamellar hing
SAFETY STANDARD:
UNI EN 131-1, UNI EN 131-4

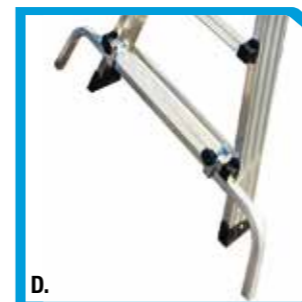


Code	Steps	A	B	C	D	F	Weight
ST0012	3x4	990	1550	3080	500	200	9,6 kg
ST0016	4x4	1290	2050	4280	630	200	12,4 kg
ST0020	5x4	1590	2650	5480	630	200	14,9 kg
ST0024	6x4	1890	2950	6080	660	200	17,2 kg

Measures are expressed in mm
Measures "D" with stabilizer bar mounted is 915 mm



- A. Accessory for inclined bases
- B. Hinge
- C. Anti -slip rubber cap
- D. Stabilizer bar





Description

The ladder is in fiberglass and aluminum and it has a single climb ramp. Thanks to the properties of electrical insulation, this ladder ensures safety to operators working in the field of electrical systems.

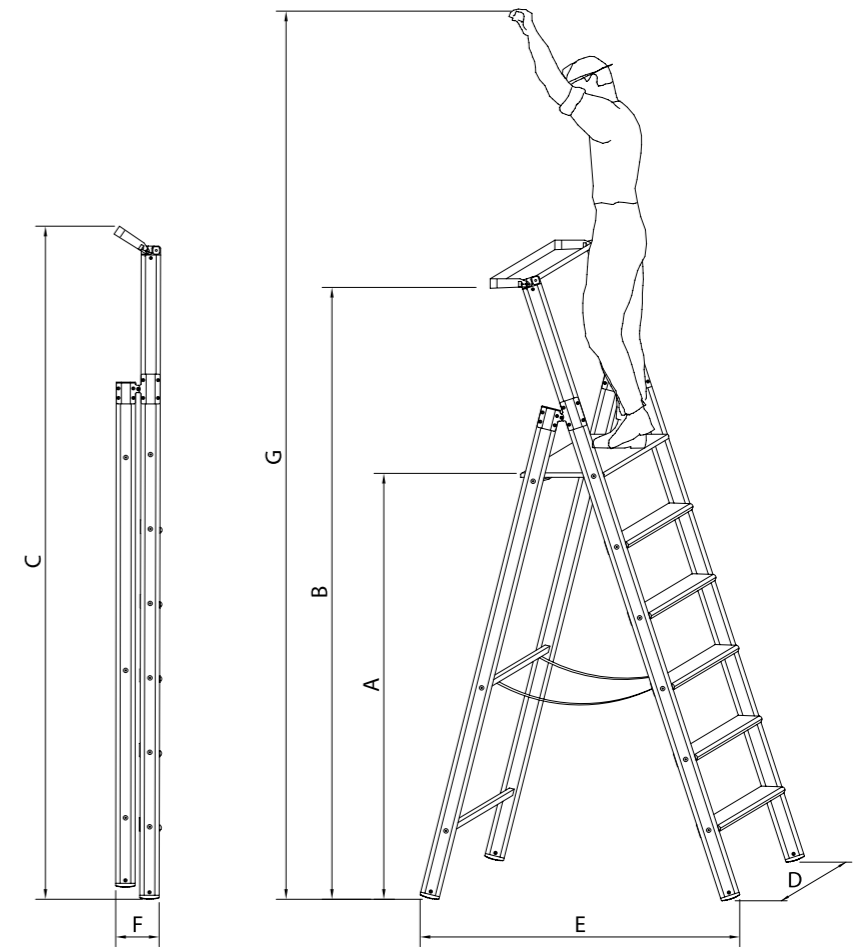
The ladder is equipped with a comfortable guard rail with height of 670 mm.

STEPS: they are mounted on nylon supports with rungs and anti-torsion groove and they are fixed onto the frames.

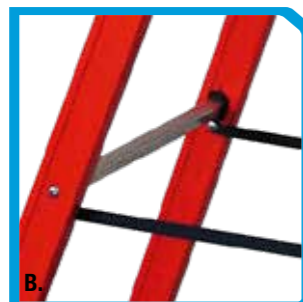
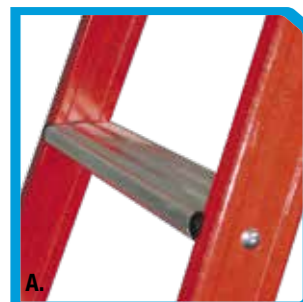
WELD FREE AND RIVETING FREE

Technical Data

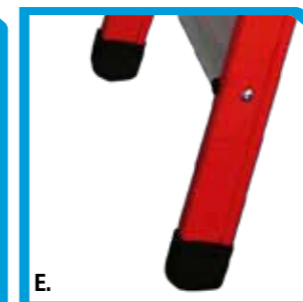
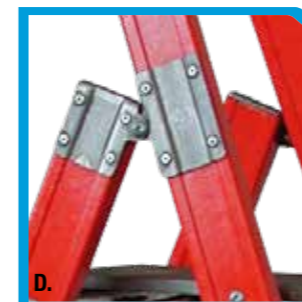
WEIGHT CAPACITY: 150 kg
(weight related to a person with tools)
PLATFORM: aluminum 270x260 mm
STEPS: aluminum 80x23 mm
FRAMES: glass fiber 65x30 mm
OBJECT HOLDER: nylon
HINGE JOINT: galvanized steel
TOP WIDTH: 360 mm
SAFETY STANDARD:
UNI EN 131-2



Code	Steps	A	B	C	D	E	F	G	Weight
SVSP/1-2	2	480	1100	1220	490	610	180	2250	7 kg
SVSP/1-3	3	720	1340	1470	520	780	180	2480	8 kg
SVSP/1-4	4	960	1580	1720	550	950	180	2710	9 kg
SVSP/1-5	5	1200	1820	1970	580	1120	180	2950	10,2 kg
SVSP/1-6	6	1440	2060	2220	610	1290	180	3190	12,5 kg
SVSP/1-7	7	1680	2300	2470	640	1460	180	3430	13,8 kg
SVSP/1-8	8	1920	2540	2970	670	1630	180	3670	16 kg
SVSP/1-9	9	2160	2780	3220	700	1800	180	3910	18,2 kg
SVSP/1-10	10	2400	3020	3470	730	1970	180	4150	20,4 kg



A. Anti-slip aluminum step
B. Anti-opening tape
C. Guard rail



* The platform is included in the number of steps
Measures are in mm

D. Anti-opening junctions
E. Anti-slip rubber caps



Description

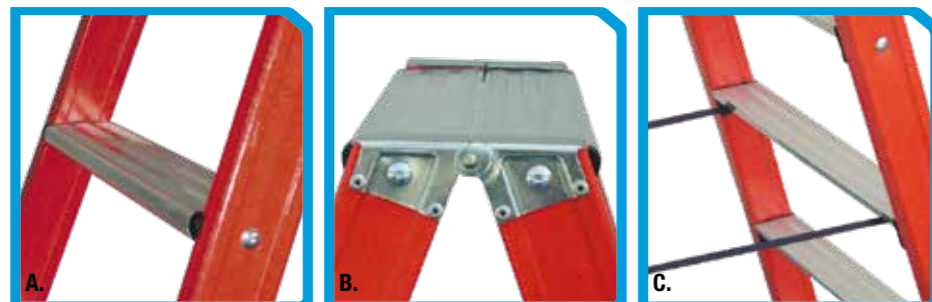
The ladder has two climb ramps and it is in fiberglass and aluminum. Thanks to the properties of electrical insulation, this ladder ensures safety to operators working in the field of electrical systems.

STEPS: they are mounted on nylon supports with rungs and anti-torsion groove and they are fixed onto the frames.

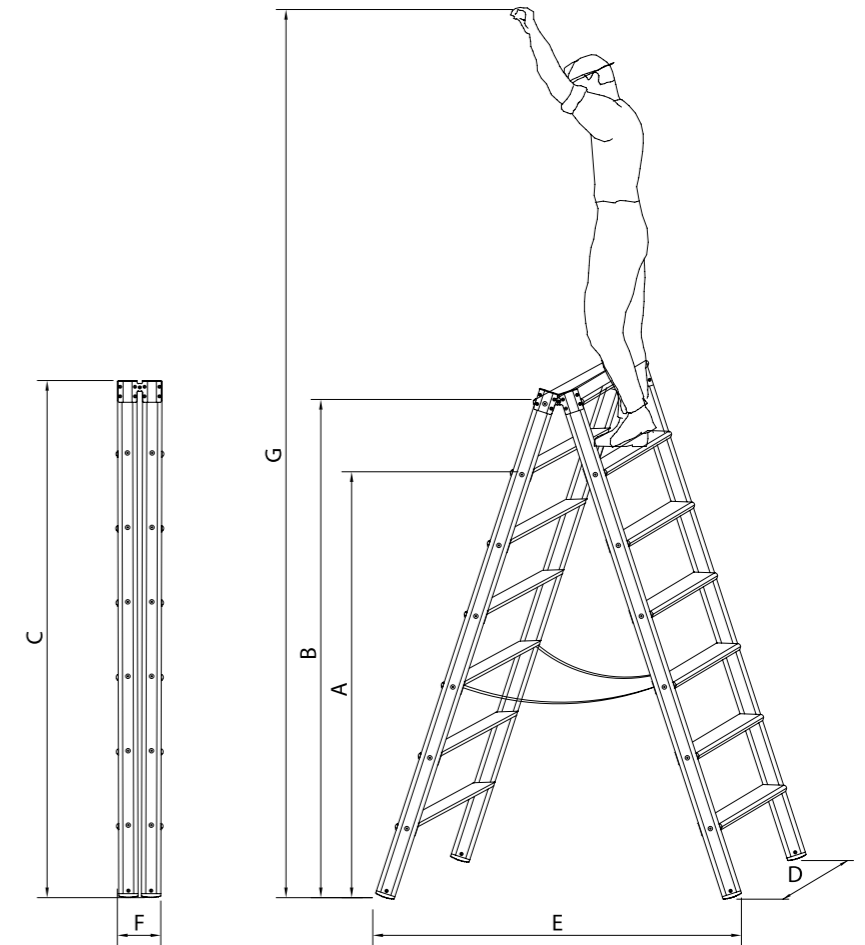
WELD FREE AND RIVETING FREE

Technical Data

WEIGHT CAPACITY: 150 kg
(weight related to a person with tools)
STEPS: aluminum 80x23 mm
FRAMES: fiberglass 65x30 mm
HINGE JOINT: galvanized steel
TOP WIDTH: 410 mm
SAFETY STANDARD:
D. Lgs. n° 81/2008



A. Anti-slip aluminum step
B. Last step
C. Anti-opening tape



Code	Steps	A	B	C	D	E	F	G	Weight
SVSP/2-3	3+3	720	960	1020	500	630	150	2480	7 kg
SVSP/2-4	4+4	960	1200	1280	530	800	150	2710	8,5 kg
SVSP/2-5	5+5	1200	1440	1530	560	970	150	2950	10 kg
SVSP/2-6	6+6	1440	1680	1780	590	1140	150	3190	11,5 kg
SVSP/2-7	7+7	1680	1920	2040	620	1310	150	3430	13 kg
SVSP/2-8	8+8	1920	2160	2300	650	1480	150	3670	14,5 kg
SVSP/2-9	9+9	2160	2400	2550	680	1650	150	3910	16 kg
SVSP/2-10	10+10	2400	2630	2810	710	1820	150	4150	17,5 kg

Measures are in mm



Description

The ladder is made of aluminum and it has anodized aluminum frames and anti-slip steps. It is constructed without welding and composed by 2 or 3 elements. It can be used also as a stepladder. This ladder is equipped with stabilizer bar and anti-opening device. **N.B.** Safety sleeve is compulsory over 8 m (according to D. Lgs. n° 81/2008)

STEPS: WELD FREE AND RIVETING FREE

Technical Data

WEIGHT CAPACITY: 150 kg (weight related to a person with tools)
STEPS: aluminum 35x24 mm
FRAMES: anodized aluminum 68x30 mm
BASE ELEMENT DIMENSION:
 • With closed bar: 700 mm
 • With opened bar: 1150 mm
ELEMENTS WIDTH:
 • Middle: 475 mm
 • Final: 410 mm
SAFETY STANDARD:
 UNI EN 131-2;
 D. Lgs. n° 81/2008 for S1014

Possibility of receiving the product in two or three elements

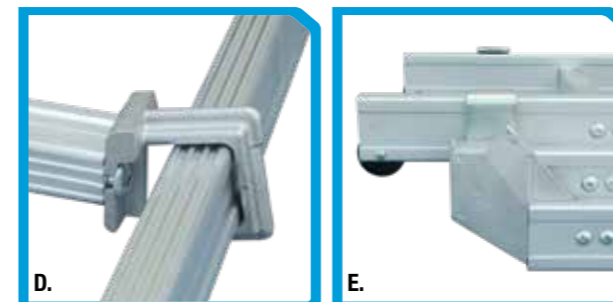


A. Anti-opening device
 B. Anti-release device
 C. Stabilizer bar detail



Code	Steps	Ladder Elements	Height to Book	Extension Height	Tot. Closed Height	Weight
S0908	8	2	2310	4100	2420	21 kg
S0910	10	2	2840	5220	2980	26 kg
S0912	12	2	3380	6340	3540	32 kg
S0914	14	2	3920	7460	4100	37 kg
S1008	8	3	3160	5890	2520	30 kg
S1010	10	3	3700	7570	3080	37 kg
S1012	12	3	4240	9220	3640	44 kg
S1014*	14	3	4770	10900	4200	51 kg

* Complying with D.Lgs. n° 81/2008 - Measures are in mm



D. Anti-opening device
 E. Elements joint



Description

The ladder is made with fiberglass frames and anti-slip steps. It is constructed without welding and it is composed by 2 or 3 elements. It can be used also as a stepladder. Thanks to the properties of electrical insulation, this ladder ensures safety to operators working in the field of electrical systems.

N.B.: Safety sleeve is compulsory over 8 m (according to D. Lgs. n° 81/2008)

STEPS: WELD FREE AND RIVETING FREE

Technical Data

WEIGHT CAPACITY: 150 kg
(weight related to a person with tools)

STEPS: aluminum 25x23 mm

FRAMES: glass fiber 65x30 mm

BASE ELEMENT DIMENSION:

- With closed bar: 700 mm
- With opened bar: 1150 mm

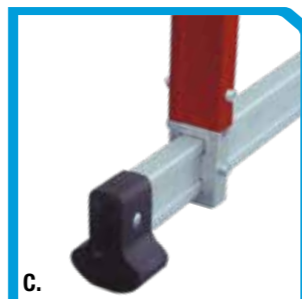
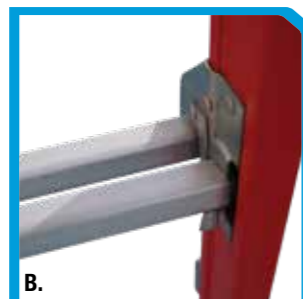
ELEMENTS WIDTH:

- Middle: 475 mm
- Final: 410 mm

SAFETY STANDARD:

D. Lgs. n° 81/2008

Possibility of receiving the product in two or three elements



- A. Anti-opening device
- B. Anti-release device
- C. Stabilizer bar detail



Code	Steps	Ladder Elements	Extension Height	Tot. Closed Height	Weight
S4207V	7	2	3600	2200	16 kg
S4208V	8	2	4180	2500	17 kg
S4209V	9	2	4750	2780	19 kg
S4210V	10	2	5330	3060	21 kg
S4212V	12	2	6450	3600	24 kg
S4307V	7	3	5020	2200	22 kg
S4308V	8	3	5850	2500	25 kg
S4309V	9	3	6700	2780	27 kg
S4310V	10	3	7550	3060	30 kg
S4312V	12	3	9250	3600	35 kg

Measures are in mm



Description

The ladder is made with aluminum frames and aluminum anti-slip steps. On request, the ladder can be supplied with two hooks to fix the ladder on any furniture, wall or shelf. The ladder is equipped with a guard rail for safety of the operator. It is light, practical, durable and it is suitable for intensive use.

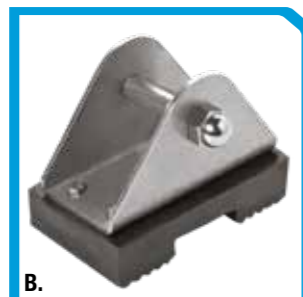
STEPS: they are mounted on aluminum die-casted supports with rungs and anti-torsion groove and they are fixed onto the frames.

WELD FREE AND RIVETING FREE

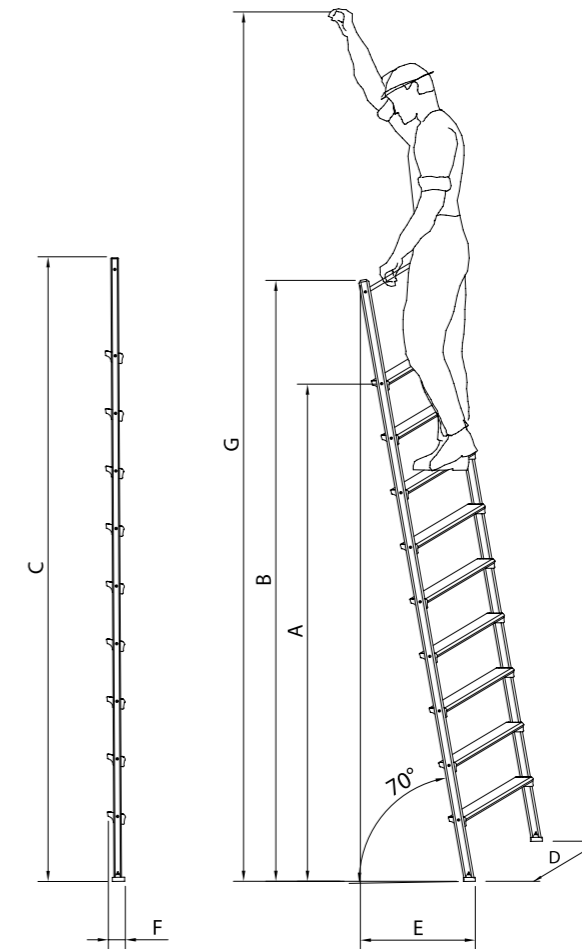
Technical Data

WEIGHT CAPACITY: 150 kg
(weight related to a person with tools)
STEPS: aluminum 95x23 mm
FRAMES: anodized aluminum 65x30 mm
TOP WIDTH: 350 mm
SAFETY STANDARD: UNI EN 131-2

On this model hooks and handrails are optionally available



- A. Anti-torsion supports
- B. Foot detail
- C. Iron hooks



Code	Steps	A	B	C	D	E	F	G	Weight
S0809P	9	2430	2870	3030	600	1160	120	4280	11,2 kg
S0811P	11	2970	3360	3530	640	1360	120	4820	13,2 kg
S0812P	12	3240	3850	4030	660	1490	120	5090	14,8 kg
S0814P	14	3750	4300	4530	700	1670	120	5600	17,2 kg
S0816P	16	4280	4770	5030	740	1860	120	6130	19,4 kg
S0818P	18	4860	5280	5530	780	2000	120	6710	21,8 kg
S0819P	19	5100	5720	6030	800	2180	120	6950	23,4 kg
S0515	Anodized aluminum rail ø 30 mm								0,60kg/m

Measures are in mm



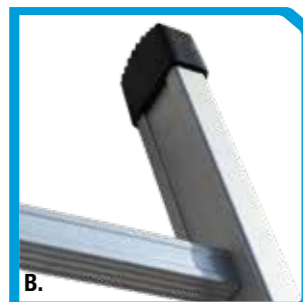
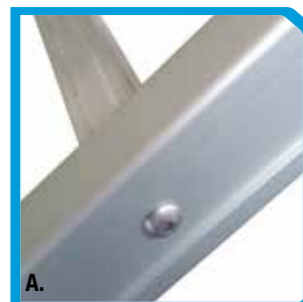
Description

The ladder is made with aluminum frames and aluminum anti-slip steps. Thanks to its symmetric measures and to the rubber feet in both ends of the frames, the ladder can be used in both directions.

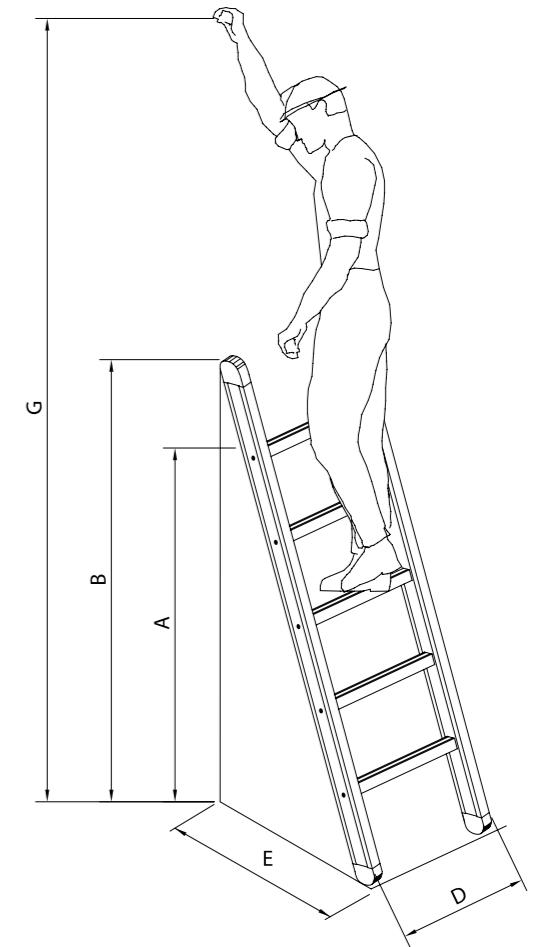
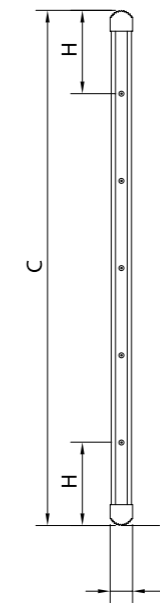
STEPS: WELD FREE AND RIVETING FREE

Technical Data

WEIGHT CAPACITY: 150 kg
(weight related to a person with tools)
STEPS: aluminum 35x24 mm
FRAMES: anodized aluminum 65x30 mm
TOP WIDTH: 415 mm
SAFETY STANDARD:
D. Lgs. n° 81/2008



A. Step fixing
B. Foot detail



Code	Steps	A	B	C	D	E	F	G	H	Weight
S2003	3	795	1030	1095	415	390	70	2095	270	3,3 kg
S2004	4	1060	1295	1375	415	485	70	2360	270	4,1 kg
S2005	5	1325	1560	1655	415	580	70	2625	270	4,9 kg
S2006	6	1590	1825	1935	415	675	70	2890	270	5,7 kg
S2007	7	1855	2090	2215	415	770	70	3155	270	6,5 kg
S2008	8	2120	2355	2495	415	865	70	3420	270	7,3 kg
S2009	9	2385	2620	2775	415	960	70	3685	270	8,1 kg
S2010	10	2650	2885	3055	415	1055	70	3950	270	8,9 kg
S2011	11	2915	3150	3335	415	1150	70	4215	270	9,7 kg
S2012	12	3180	3415	3615	415	1245	70	4480	270	10,5 kg
S2013	13	3445	3680	3895	415	1340	70	4745	270	11,3 kg
S2014	14	3710	3945	4175	415	1435	70	5010	270	12,1 kg
S2015	15	3975	4210	4455	415	1530	70	5275	270	12,9 kg

Measures are in mm



Description

The ladder is made with aluminum frames and aluminum anti-slip steps. It is available in 3 versions:

- **F11:** with pegs 35x24 mm
- **F11/P:** with steps 95x23 mm
- **F11/L:** with steps 150x23 mm

Moreover, there are three types of stainless steel handrail:

- Short handrail kit
- Handrail kit for landing
- Handrail kit for wall

On request, the ladder can be supplied with two hooks for fixing the ladder on any furniture, wall or shelf.

STEPS: they are mounted on aluminum die-casted supports with rungs and anti-torsion groove and they are fixed onto the frames.

WELD FREE AND RIVETING FREE

Technical Data

WEIGHT CAPACITY: 150 kg
(weight related to a person with tools)

STEPS:

- aluminum 95x23 mm in the version F11/P
- aluminum 150x23 mm in the version F11/L
- **PEGS:** anti-slip aluminum 35x24 in the version F11

FRAMES: anodized aluminum 65x30 mm

TOPWIDTH:

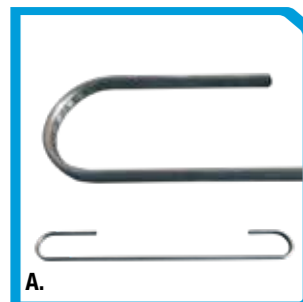
- With pegs = 500 mm
- With steps 95x23 = 500 mm
- With steps 150x23 = 510 mm

SAFETY STANDARD:

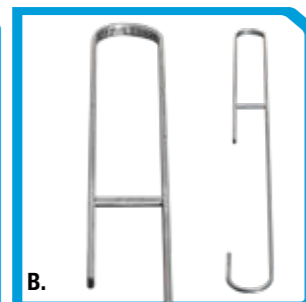
D. Lgs. n° 81/2008

On this model hooks and handrails are optionally available

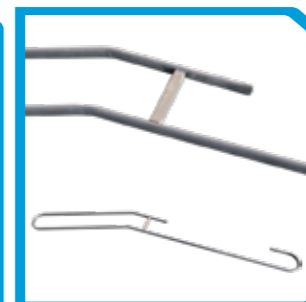
A. Short handrail



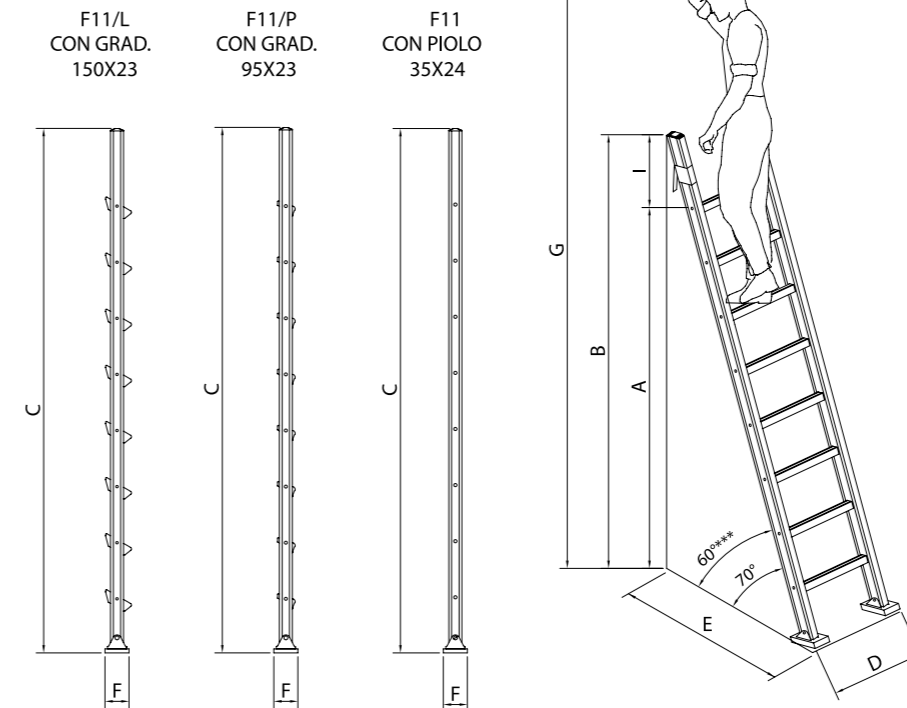
B. Handrail for landing



C. Handrail for wall



D. Short handrail in aluminum



* Measures concerning only F11 with pegs 35x24

** Measures concerning only F11/P with steps 95x23

*** Measures concerning only F11/L with steps 150x23 - Measures are in mm

Rail Fixing Heights Ladders F11

F11 - PEGS 35X24 F11/P - STEPS 95X23 INCLINATION 20°

S2103	S2103/P	870 - 1110
S2104	S2104/P	1120 - 1370
S2105	S2105/P	1380 - 1630
S2106	S2106/P	1640 - 1900
S2107	S2107/P	1910 - 2160
S2108	S2108/P	2170 - 2420
S2109	S2109/P	2430 - 2680
S2110	S2110/P	2670 - 2950
S2111	S2111/P	2960 - 3210
S2112	S2112/P	3220 - 3480
S2113	S2113/P	3490 - 3740
S2114	S2114/P	3750 - 4000
S2115	S2115/P	4010 - 4260
S2116	S2116/P	4270 - 4520
S2117	S2117/P	4530 - 4780
S2118	S2118/P	4790 - 5040
S2119	S2119/P	5050 - 5300
S2120	S2120/P	5310 - 5560

F11 - STEPS 150X23 INCLINATION 30°

S2103/L	800 - 1030
S2104/L	1040 - 1270
S2105/L	1280 - 1510
S2106/L	1520 - 1750
S2107/L	1760 - 2000
S2108/L	2010 - 2230
S2109/L	2240 - 2470
S2110/L	2480 - 2710
S2111/L	2720 - 2950
S2112/L	2960 - 3180
S2113/L	3200 - 3410
S2114/L	3440 - 3640
S2115/L	3680 - 3870
S2116/L	3920 - 4100
S2117/L	4160 - 4330
S2118/L	4400 - 4560
S2119/L	4640 - 4790
S2120/L	4880 - 5020

Code	Steps	A		B		C	D			E		F			G			Weight (Kg)		
		F11/F11P	F11L	F11/F11P	F11L		F11	F11P	F11L	F11/F11P	F11L	F11	F11P	F11L	F11	F11P	F11L			
S2103	3	820	760***	1270	1180***	1330	500*	560**	565***	380	550**	120	2140	2120***	4,3*	4,1**	4,5***			
S2104	4	1080	1000***	1530	1420***	1610	500*	580**	585***	490	690**	120	2400	2360***	5,1*	5,2**	6***			
S2105	5	1340	1240***	1790	1660***	1890	500*	600**	605***	590	830**	120	2660	2600***	5,9*	6,4**	7,5***			
S2106	6	1600	1480***	2050	1900***	2170	500*	620**	625***	680	970**	120	2920	2840***	6,7*	7,6**	9***			
S2107	7	1860	1720***	2310	2140***	2450	500*	640**	645***	780	1110**	120	3180	3080***	7,5*	8,8**	10,5***			
S2108	8	2120	1960***	2570	2380***	2730	500*	660**	665***	880	1250**	120	3440	3220***	8,3*	10**	12***			
S2109	9	2380	2200***	2830	2620***	3010	500*	680**	685***	980	1390**	120	3700	3560***	9,1*	11,2**	13,5***			
S2110	10	2640	2450***	3090	2860***	3290	500*	700**	705***	1080	1530**	120	3960	3800***	10*	12,4**	15***			
S2111	11	2910	2700***	3360	3100***	3570	500*	720**	725***	1170	1670**	120	4220	4040***	10,8*	13,6**	16,5***			
S2112	12	3170	2940***	3620	3340***	3850	500*	740**	745***	1270	1810**	120	4490	4280***	11,7*	14,9**	18***			
S2113	13	3430	3180***	3880	3580***	4130	500*	760**	765***	1360	1950**	120	4750	4520***	12,6*	16,2**	19,5***			
S2114	14	3700	3420***	4140	3820***	4410	500*	780**	785***	1460	2090**	120	5010	4760***	13,4*	17,5**	21***			
S2115	15	3960	3660***	4410	4060***	4690	500*	800**	805***	1560	2230**	120	5280	5000***	14,3*	18,8**	22,5***			
S2116	16	4220	3900***	4680	4300***	4970	500*	820**	825***	1660	2370**	120	5550	5240***	15,1*	20,1**	24***			
S2117	17	4480	4140***	4950	4540***	5250	500*	840**	845***	1760	2510**	120	5820	5480***	16*	21,4**	25,5***			
S2118	18	4740	4380***	5220	4780***	5530	500*	860**	865***	1860	2650**	120	6090	5720***	16,8*	22,7**	27***			
S2119	19	5000	4620***	5490	5020***	5810	500*	880**	885***	1960	2790**	120	6360	5960***	17,7*	24**	28,5***			
S2120	20	5260	4860***	5760	5260***	6090	500*	900**	905***	2060	2930**	120	6630	6200***	18,5*	25,3**	30***			



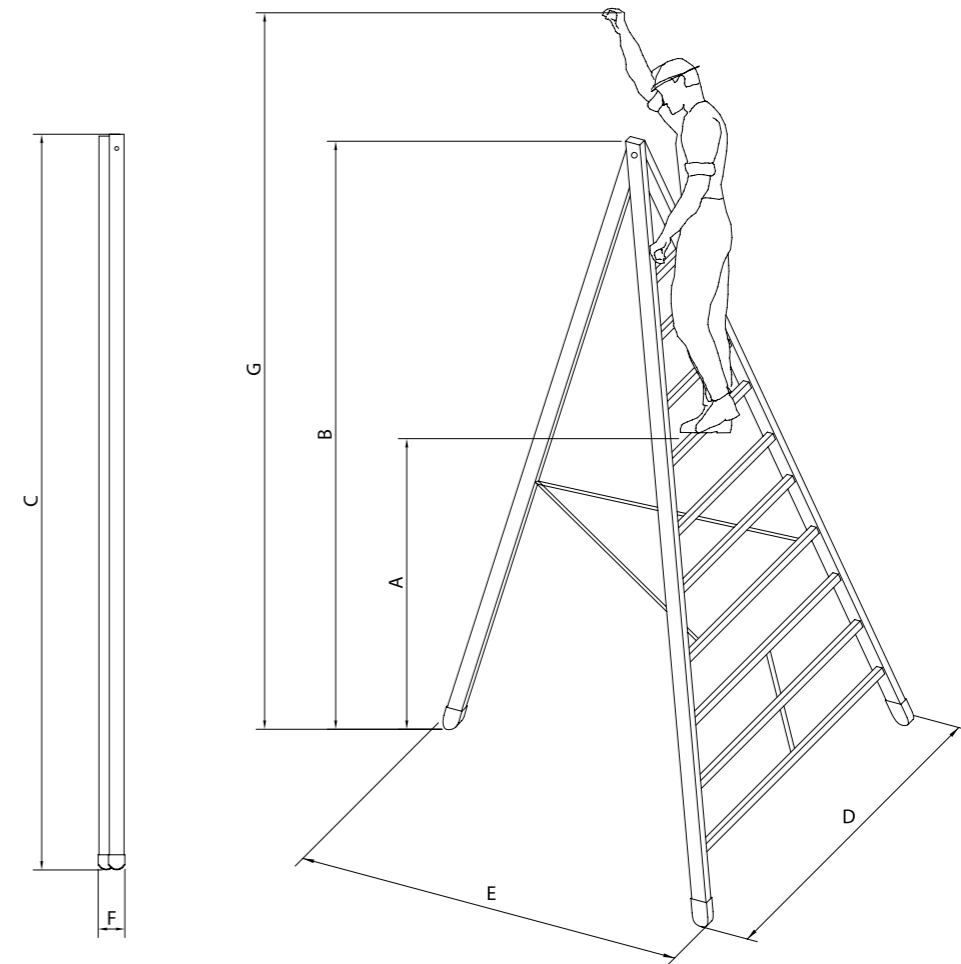
Description

The ladder is made with aluminum frames and aluminum anti-slip steps. On request, it can be supplied with galvanized iron spikes instead of the rubber feet at the base of the three frames, in order to increase the grip on uneven or sloping grounds. It is light, practical and durable and it is suitable for intensive use.

Technical Data

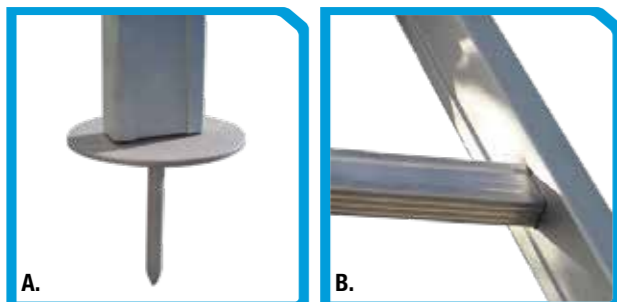
WEIGHT CAPACITY: 150 kg
(weight related to a person with tools)
STEPS: aluminum 35x24 mm
FRAMES: anodized aluminum 65x30 mm
SAFETY STANDARD:
D. Lgs. n° 81/2008

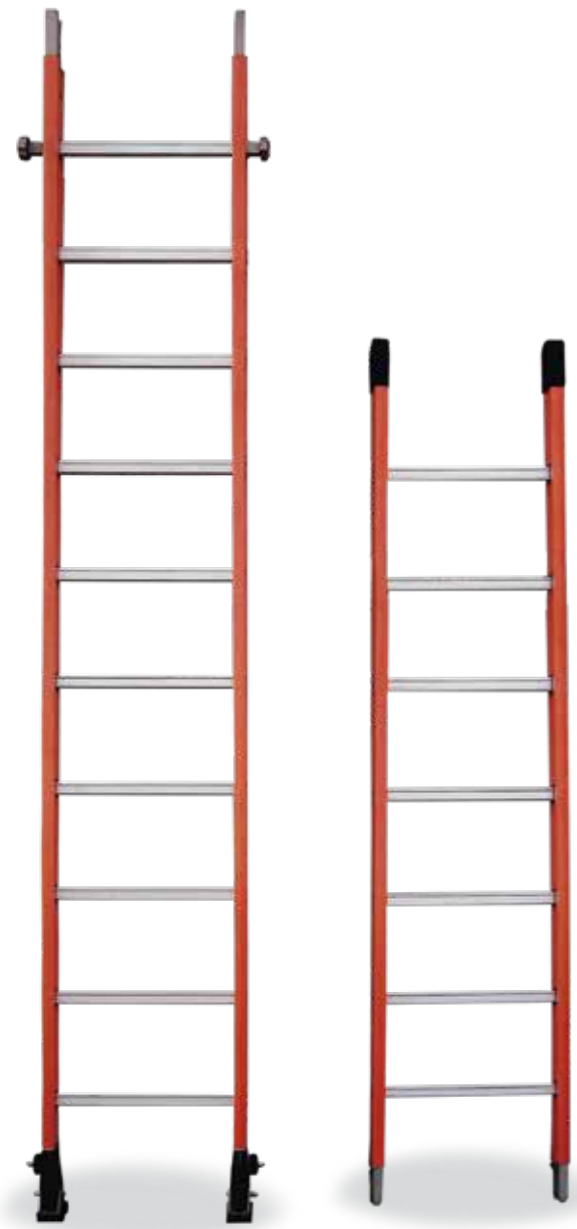
A. Galvanized iron spike
B. Step particular



Code	Steps	A	B	C	D	E	F	G	Weight
S6006	6	1070	2050	2160	870	1380	140	2920	11 kg
S6008	8	1590	2580	2720	1060	1770	140	3440	13 kg
S6010	10	2110	3110	3280	1260	2150	140	3960	15 kg
S6012	12	2640	3640	3840	1320	2540	140	4490	18 kg
S6014	14	3160	4170	4400	1500	2930	140	5000	21 kg

Measures are in mm





Description

The ladder is made with fiberglass frames and aluminum steps. The total height of the ladder is 10,4 m and it is composed of 4 items, divided as follows:

- 1 Bottom element
- 2 Interchangeable middle elements
- 1 Final element

The ladder has two feet as our VF ladder

or, on request, it can be equipped with two anti-slip rubber feet.

N.B. Safety sleeve is compulsory over 8 m (according to D. Lgs. n° 81/2008)

STEPS: WELD FREE AND RIVETING FREE

Technical Data

WEIGHT CAPACITY: 150 kg
(weight related to a person with tools)

STEPS: aluminum 35x24 mm

FRAMES: fiberglass 88x32 mm

FEET: articulated in rubber and stainless steel

SCREWS/BOLTS: stainless steel

JOINTS AND FIXING HANDWHEEL:

die-casted aluminum

WORKING HEIGHT: 10,40 m

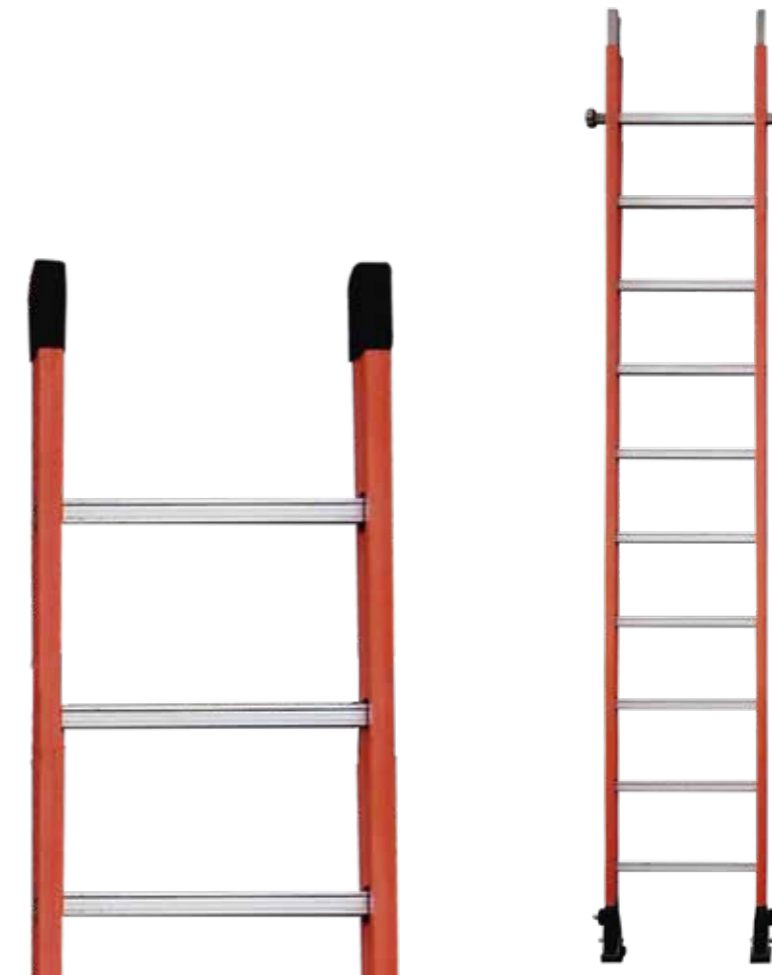
CORRECT INCLINATION: 20°

TOTAL WEIGHT: 48 kg

SAFETY STANDARD:

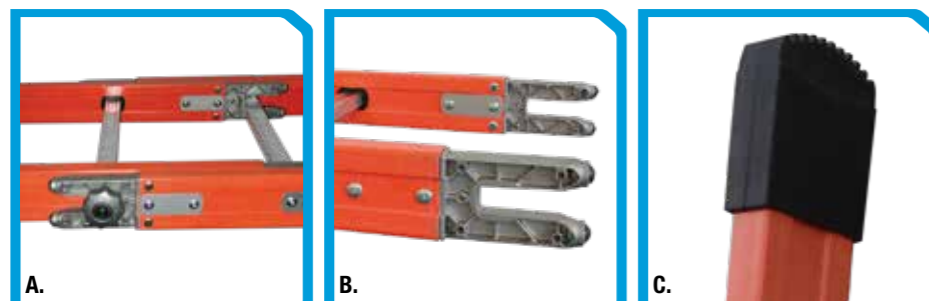
D. Lgs n. 81/2008

Possibility to compose the product with desired elements

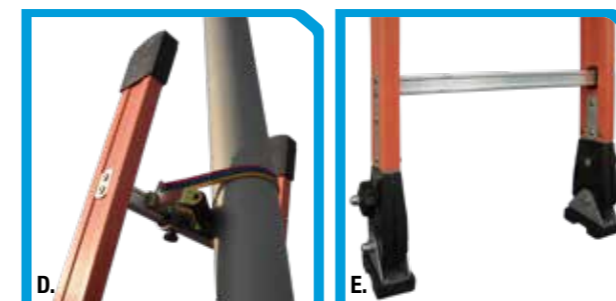


Code	Description	Elements	Steps	Total Height	Footing Width	Top Width	Weight
S4010PV	Bottom section middle element	3	10	3155	470	405	12 kg
S4007FV	Final element	1	7	2200	470	425	8 kg

The overlap between an element and another measures 430 mm
Measures are in mm



- A. Handwheel detail and grafting elements
- B. Graft
- C. Anti-slip cap



- D. Pole rest detail
- E. Feet detail



Description

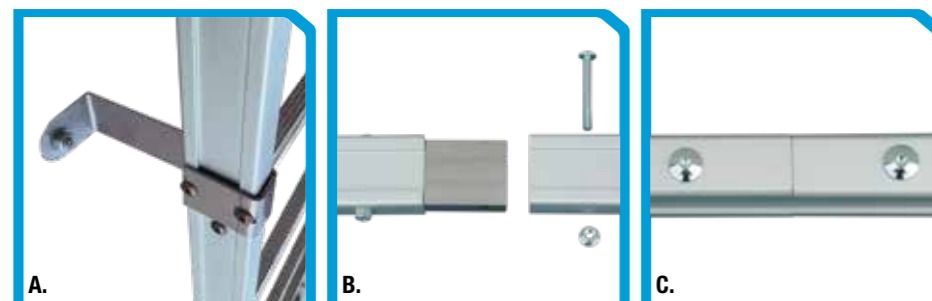
The ladder can be supplied in single or double trunk for both indoor and outdoor use and it offers a total safety for the operator as it is fully protected by a circular structure composed by aluminum rings. It has anodized aluminum frames and anti-slip steps. It is ideal for acces to roofs, terraces, platforms or to carry out inspections to the summit of silos, tanks, pipelines, machinery, etc. It is constructed on request for any height with varius optional available.

STEPS: WELD FREE AND RIVETING FREE

Technical Data

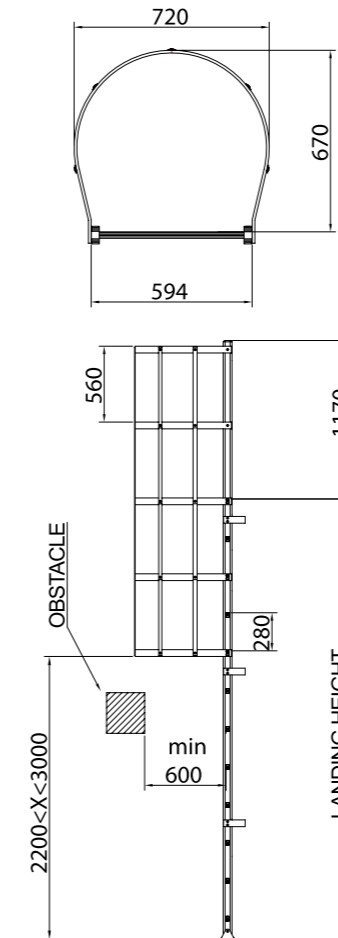
WEIGHT CAPACITY: 150 kg (weight related to a person with tools)
STEPS: aluminum 35x24 mm
FRAMES: anodized aluminum 65x30 mm
SAFETY STANDARD:
 D. Lgs. n° 81/2008 (Italian directives)
 ISO UNI EN 14122-4 (European directives)

To optimize transport the rings can be supplied disassembled



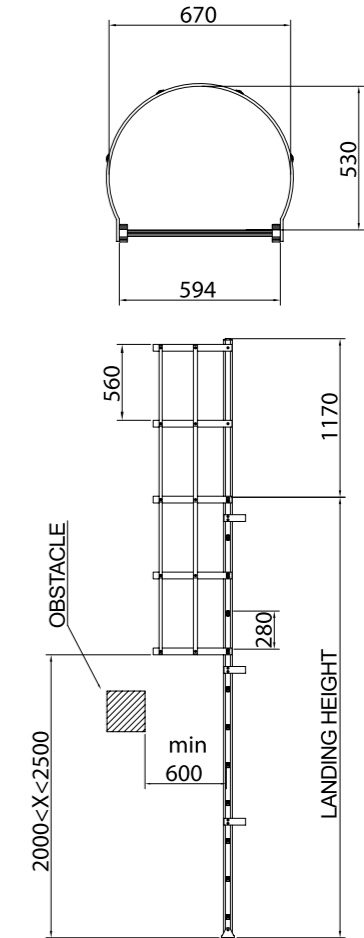
A. 150 mm bracket detail
 B. Graft
 C. Fixing after grafting

Comply with European directives



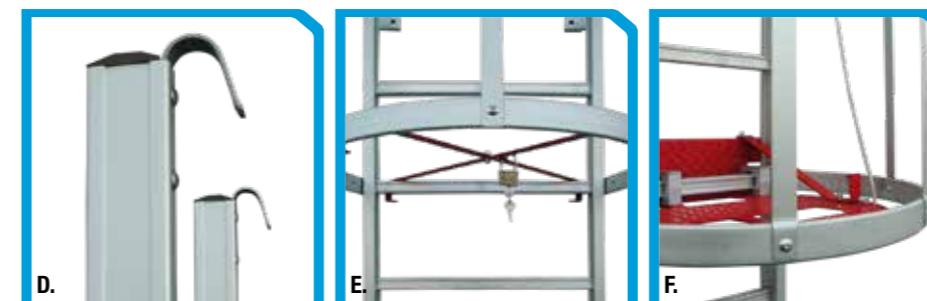
Code	Description
549000000216	Bottom section ISO UNI EN 14122-4
549000000219	Bottom element with hooks
549000000217	Central element ISO UNI EN 14122-4
549000000218	Top element ISO UNI EN 14122-4

Comply with Italian directives



Code	Description
549000000220	Bottom section D.Lgs. n° 81/2008
549000000219	Bottom element with hooks
549000000223	Central element D.Lgs. n° 81/2008
549000000222	Top element D.Lgs. n° 81/2008

Measures are in mm



D. Bottom element with hooks
 E. Closing climb entry
 F. Platform



Description

The ladder is constructed without welding, with anti-slip steps and die-casted aluminum supports. This ladder can be supplied with nylon rope or Kevlar rope (fireproof material up to 420°).

It can be used in various applications such as: cable cars, tanks into the shafts, vertical ducts, hooked outside of buildings, boats, various cases of emergency (es. rescue by helicopter). If the ladders is used during normal job applications, the operator must wear a body harness UNI EN 361 and connect to a fall arrest system UNI EN 353.2 / UNI EN 360.

STEPS: WELD FREE AND RIVETING FREE

Technical Data

WEIGHT CAPACITY: 150 kg
(weight related to a person with tools)

STEPS: aluminum 35x24 mm

FRAMES: nylon rope or Kevlar rope

TOP WIDTH: 460 mm

SAFETY STANDARD:

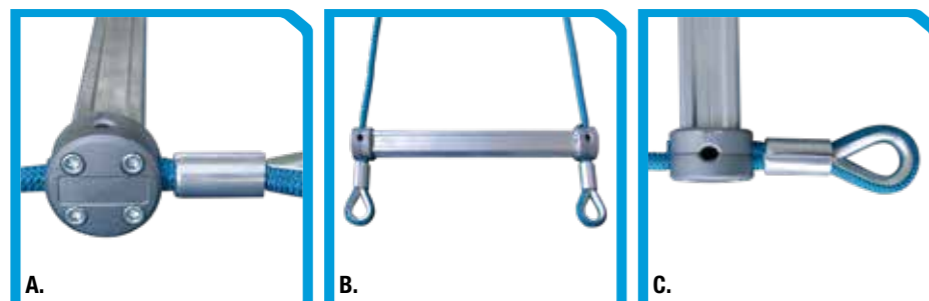
UNI EN 1147 (art. VF COR)

D. Lgs. n° 81/2008 (art. SCOR)

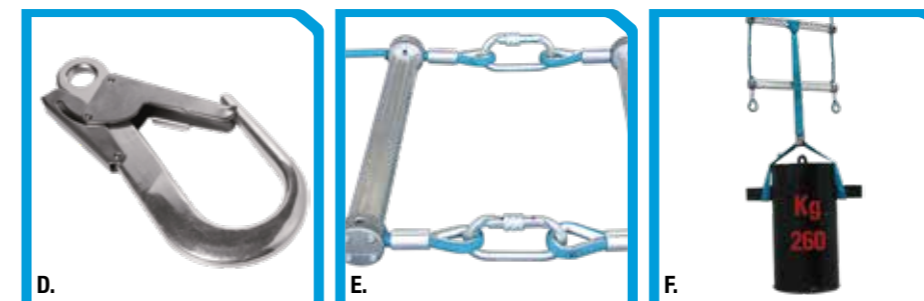


Code	Rope Material	Steps	Length	Width	Weight
SCOR2	Nylon	8	2000	460	5 kg
SCOR5	Nylon	18	5000	460	13 kg
S4541-VF COR	Kevlar®	8	2000	460	5 kg
S4540-VF COR	Kevlar®	18	5000	460	13 kg

Measures are in mm



A. Fixing step detail
B. Step
C. Thimble



D. Hook for anchorage of the ladder
E. Snap hook for union of ladder elements
F. Step load test



Description

The ladder is made of anodized aluminum and it is designed for the special needs of firefighters and Civil Protection.

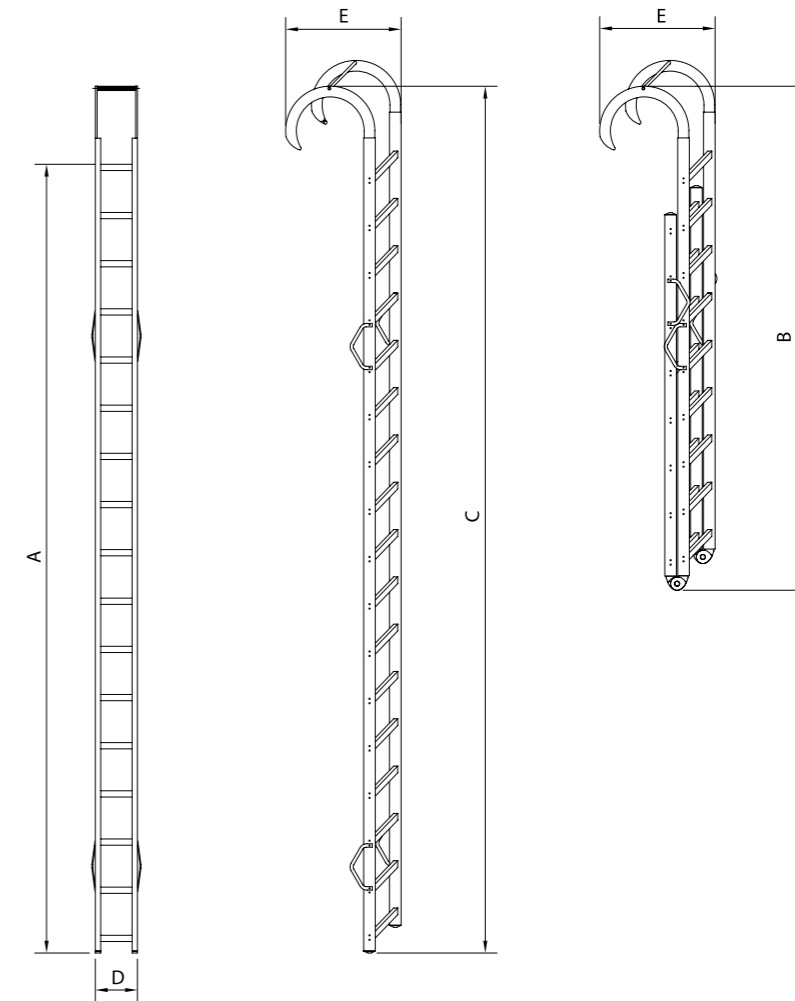
It is available in 2 versions:

- Folding
- Fixed

STEPS: WELD FREE AND RIVETING FREE

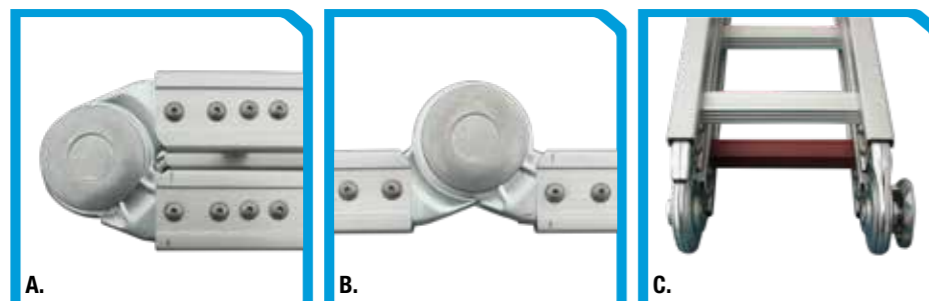
Technical Data

WEIGHT CAPACITY: 150 kg
(weight related to a person with tools)
STEPS: aluminum 35x24 mm
FRAMES: anodized aluminum 65x30 mm
TOP WIDTH: 240 mm
SAFETY STANDARD:
UNI EN 1147

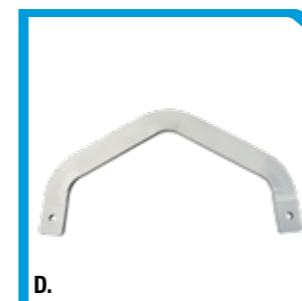


Code	Steps	Model	A	B	C	D	E	Weight
S4520-VF	17	Fixed	4420	/	4860	240	500	14,4 kg
S4521-VF	17	Folding	4420	2650	4860	240	500	15,8 kg

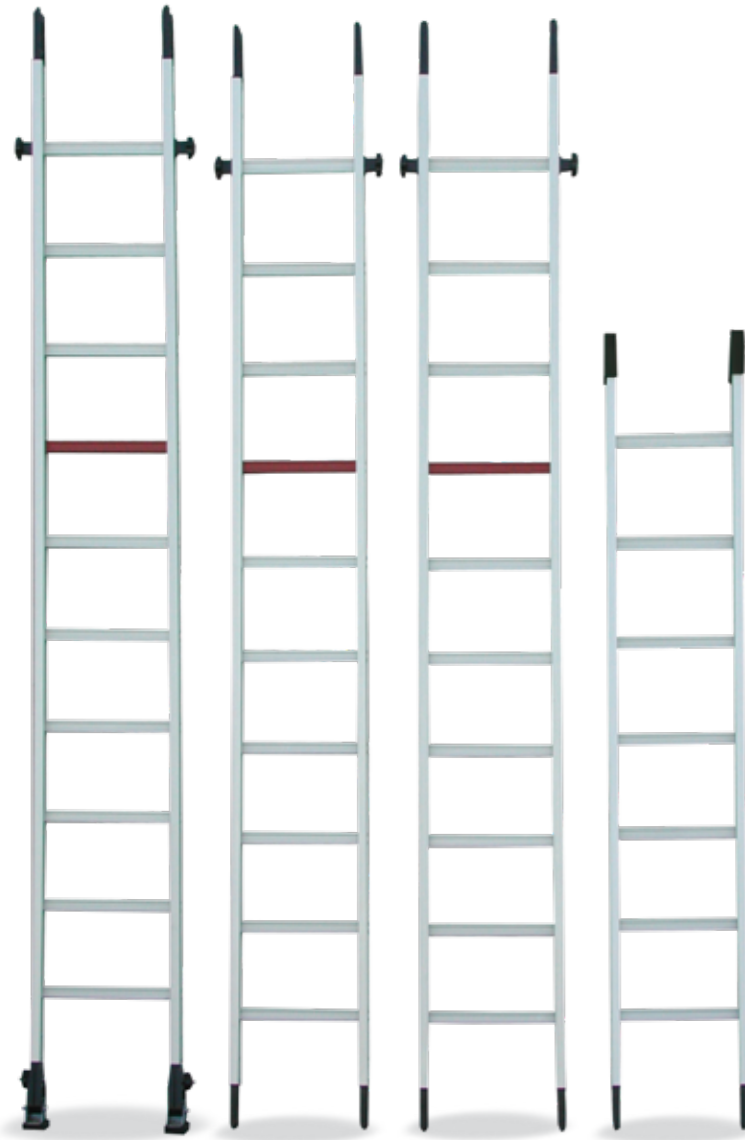
Measures are in mm



- A. Closed articulated joint
- B. Open articulated joint
- C. Anodized red step



D. Wall spacer detail



Description

The ladder is made of anodized aluminum and it is designed for the special needs of firefighters and Civil Protection.

The total height of the ladder is 10,4 m and it is composed of 4 items, divided as follows:

- 1 Bottom element
- 2 Interchangeable middle elements
- 1 Final element

STEPS: WELD FREE AND RIVETING FREE

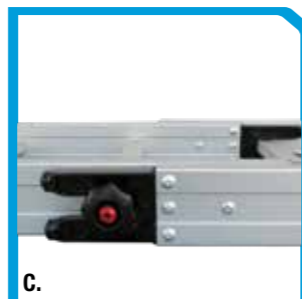
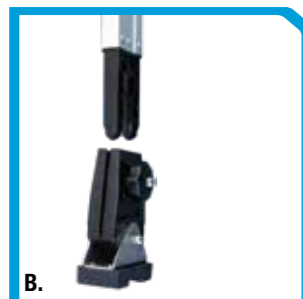
Technical Data

WEIGHT CAPACITY: up to 3 people
STEPS: anodized, anti-slip, aluminum 35x24 mm
FRAMES: anodized aluminum 88x30mm
FEET: articulated in rubber and stainless steel
SCREWS/BOLTS: stainless steel
JOINTS AND FIXING HANDWHEEL: die-casted aluminum
WORKING HEIGHT: 10,40 m
CORRECT INCLINATION: 20°
TOTAL WEIGHT: 52,30 kg
SAFETY STANDARD: UNI EN 1147

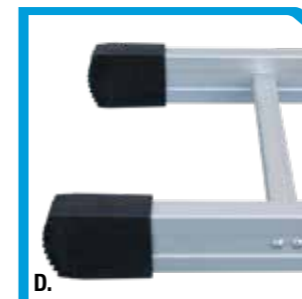


Code	Description	Elements	Steps	Total Height	Footing Width	Top Width	Weight
S4510IVF	Bottom section middle element	3	10	3155	470	405	13,2 kg
S4507FVF	Final element	1	7	2200	470	425	9 kg

The overlap between an element and another measures 430 mm
Measures are in mm



A. Articulated feet detail
 B. Foot graft
 C. Handwheel to graft elements



D. - E. Cap for final and middle elements



SCAFFOLDS



Description

It is made of anodized aluminum profiles; it is light and easy to carry. It can be folded with final dimensions of only 1780x650x420mm. It reaches an height of 2760mm when it is open. It can also be used on stairs and on inclined surfaces.

The base is equipped with 4 rotating wheels with brakes and with a special device having a central handle that allows locking of the hinges during use for additional security.

STEPS: WELD FREE AND RIVETING FREE

Technical Data

WEIGHT CAPACITY: 150 kg
(weight related to a person with tools)

STEPS: aluminum 35x24 mm

FRAMES, ELEMENTS, EXTENSIONS:
aluminum 65x30 mm

WHEELS: rotating with brake \varnothing 100 mm

BOARD: wood 1600x470x30 mm

SAFETY STANDARD:

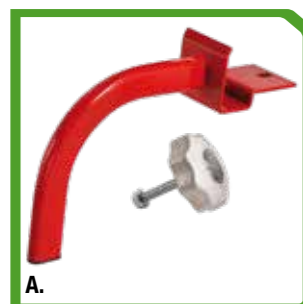
D. Lgs. n° 81/2008



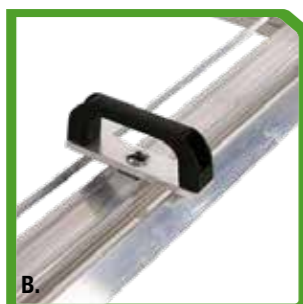
Code	Description	Weight
S6100A	Base	21 kg
S6200A	Board	10,5 kg
S6300A	Extension	5 kg
S6500A	Final Element	1 kg
S6400A	Stabilizer	0,5 kg

Complete mobile scaffolding	
Working height	1630
Total height	2760
Base dimension	1780x650
Total height when closed	420
Total weight	43,5 kg

Measures are in mm



A.

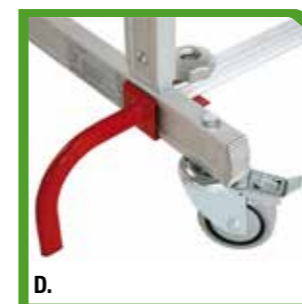


B.



C.

- A. Lateral stabilizer
- B. Central handle with locking hinges
- C. Possibility of use on stairwells



D.

D. Brake wheel detail

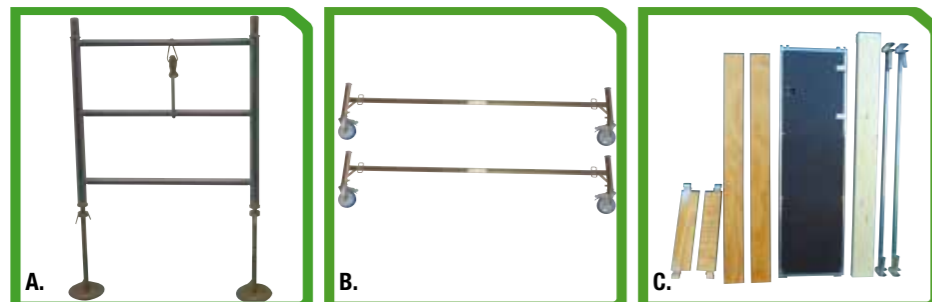


Description

It is made of galvanized steel profiles \varnothing 40mm; it is light and easy to carry and it can be completely disassembled and folded. When mounted it reaches an height of 2850mm. It can also be used on stairs and on inclined surfaces. The base is equipped with 4 rotating wheels with brakes

Technical Data

WEIGHT CAPACITY: 150 kg
(weight related to a person with tools)
STEPS: galvanized steel 40x20mm
FRAMES, ELEMENTS, EXTENSIONS: galvanized steel \varnothing 40 mm
WHEELS: rotating with brake \varnothing 125 mm
BOARD: wood 2000x800x30 mm
SAFETY STANDARD:
D. Lgs. n° 81/2008



A. Accessory for use on stairwell
B. Simple base
C. Work top components



Code	Description	Total height structure	
		1,85 m	2,85 m
S6050	Simple base with wheels \varnothing 125 mm	1	1
S6030	1,50 metres ladder element	2	2
S6040	Joint element	2	4
S6050L	Cross long tie rod	2	2
S6050M	Medium tie rod	2	2
S6029	1,00 metre ladder element	0	2
S6050C	Short tie rod	0	4
S6060	Resined support in alluminium with trapdoor	1	1
S6060A	Longitudinal toe board 2,00 metres side	2	2
S6060B	Transversal toe board 0,80 metres side	2	2
S6060C	2,00 metres wooden boards	1	1
S6070	Working parapet with 40mm wedge	4	4
S6090	Accessory for use on stairwell	0	0
Weight		37,80 Kg	54,60 Kg

* A top can be made with 3 wooden boards



SCAFFOLDING

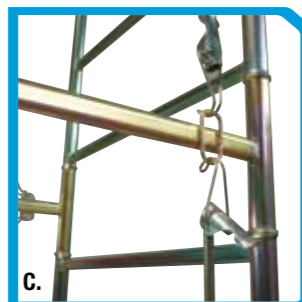
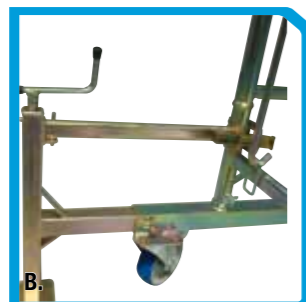
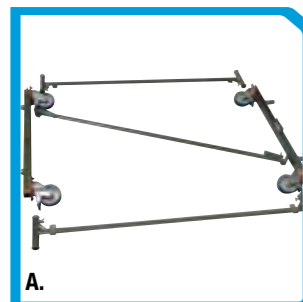


Description

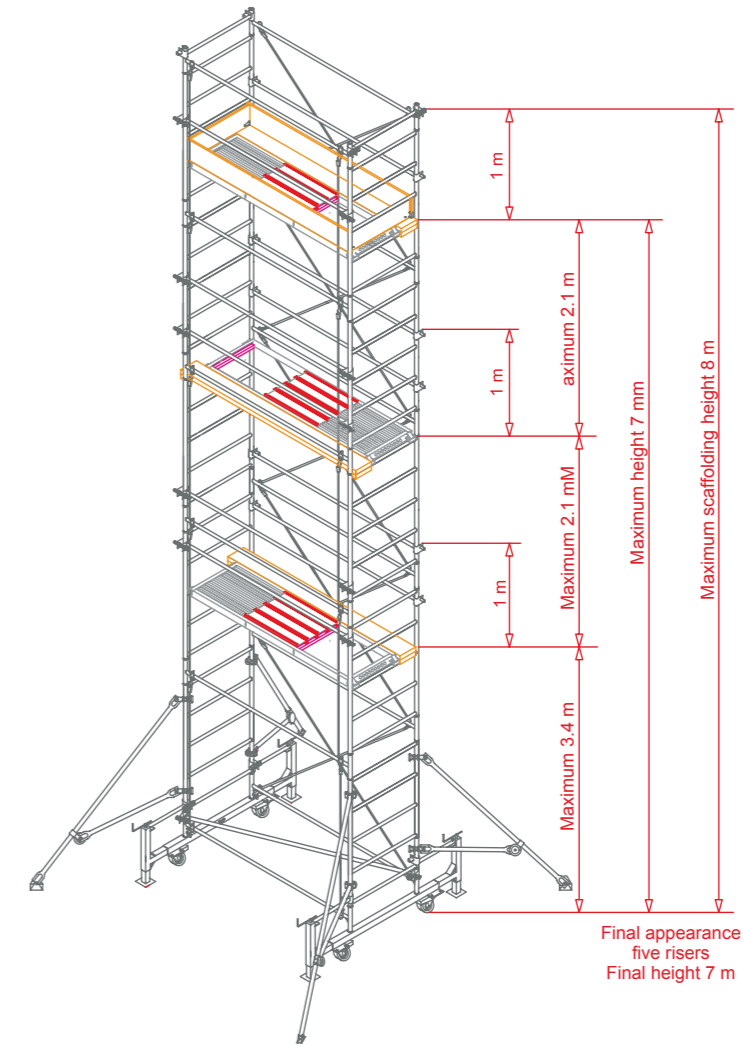
The scaffolding is made with galvanized steel pipes, it is composed of vertical ladder elements (round section frames \varnothing 40 mm and rectangular anti-slip steps section 40x20 mm) and horizontal elements of junction with oval section 30x15 mm. It is easy to transport, light, practical and safe.

Technical Data

WEIGHT CAPACITY: 200 kg x m²
MATERIAL: galvanized steel 40x20 mm
WHEELS: rotating with brake \varnothing 150 mm
BASE DIMENSION: 2000x1200 mm
MAXIMUM WORKING HEIGHT: 7000 mm
TOTAL STRUCTURE HEIGHT: 8000 mm
SAFETY STANDARD: UNI EN 1004



A. Disassembled extension base
 B. Leveler with strut
 C. Tie rod-cross fixing



Code	Description	Total height structure	2,0m	3,0 m	3,5 m	4,5 m	5,0 m	6,0 m	6,5 m	7,5 m	8,0 m
S8020	Couple of crossbars with wheels		1	1	1	1	1	1	1	1	1
S8020A	Base joint crossbars 2,00 metres		2	2	2	2	2	2	2	2	2
S8020B	Base diagonal reinforce		1	1	1	1	1	1	1	1	1
S8030	1,50 metres ladder element		2	2	4	4	6	6	8	8	10
S8040	Joint element		2	4	4	6	6	8	8	10	10
S8050L	Cross long tie rod		2	2	4	4	6	6	8	8	10
S8050M	Medium tie rod		2	2	4	4	6	6	8	8	10
S8029	1,00 metre ladder element		0	2	0	2	0	2	0	2	0
S8050C	Short tie rod		0	4	0	4	0	4	0	4	0
S8060	Resined support in alluminium with trapdoor		1	1	1	1	2	2	2	3	3
S8060A	Longitudinal toe board 2,00 metres side		2	2	2	2	2	2	2	2	2
S8060B	Transversal toe board 0,80 metres side		2	2	2	2	2	2	2	2	2
S8060C	2,00 metres wooden boards		1	1	1	1	2	2	2	3	3
S8070	Working parapet with 40mm wedge		4	4	4	4	8	8	8	12	12
S8080	Stabilizer		4	4	4	4	4	4	4	4	4
S8080A	Stabilizer strut		4	4	4	4	4	4	4	4	4
S8090	Wind bracing installations		0	0	0	0	0	4	4	4	4
Weight			113 Kg	130 Kg	137 Kg	154 Kg	194 Kg	239 Kg	246 Kg	297 Kg	304 Kg

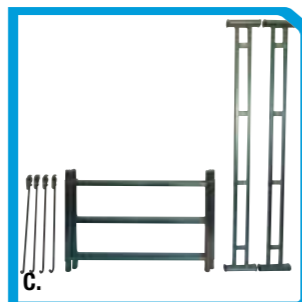
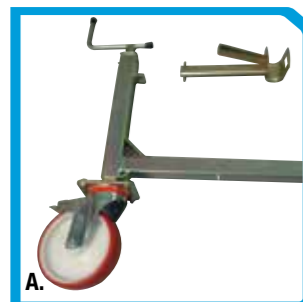


Description

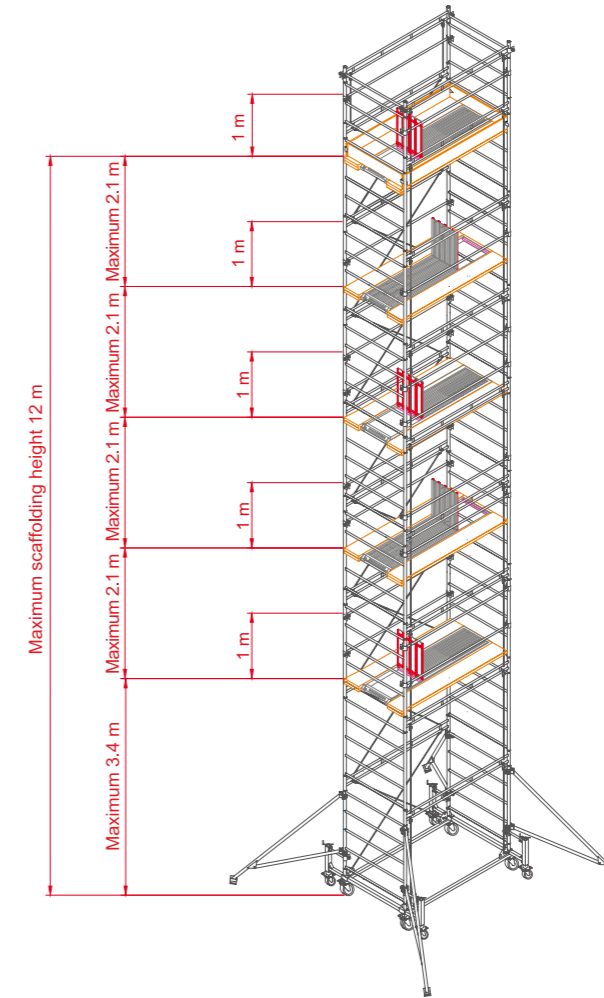
The scaffolding is made with galvanized steel pipes, it is composed of vertical ladder elements (round section frames \varnothing 48 mm and rectangular anti-slip steps section 40x20 mm) and horizontal elements of junction with rectangular section 30x15 mm. It is easy to transport, light, practical and safe.

Technical Data

WEIGHT CAPACITY: 200 kg x m²
MATERIAL: galvanized steel 40x20 mm
WHEELS: rotating with brake \varnothing 200 mm
BASE DIMENSION: 1200x2000 mm
MAXIMUM WORKING HEIGHT: 12500 mm
TOTAL STRUCTURE HEIGHT: 13500 mm
SAFETY STANDARD: UNI EN 1004



- A. Leveler with brake wheel and strut
- B. Composition with work top from 1,50m
- C. Composition with work top from 1,0m



Code	Description	Total height structure	3 m	3,5 m	4,5 m	5 m	6 m	6,5 m	7,5 m	8 m	9 m	9,5 m	10,5 m	11 m	12 m	12,5 m	13,5 m
S700F	Base with wheels		1	1	1	1	1	1	1	1	1	1	1	1	1	1	1
S7005	1,50 metres ladder element		2	4	4	6	6	8	8	10	10	12	12	14	14	16	16
S7010	Joint element		4	4	6	6	8	8	10	10	12	12	14	14	16	16	18
S7020L	Cross long tie rod		2	4	4	6	6	8	8	10	10	12	12	14	14	16	16
S7020M	Medium tie rod		2	4	4	6	6	8	8	10	10	12	12	14	14	16	16
S7003	1,00 metre ladder element		2	0	2	0	2	0	2	0	2	0	2	0	2	0	2
S7020C	Short tie rod		4	0	4	0	4	0	4	0	4	0	4	0	4	0	4
S7050	Resined support in alluminium with trapdoor		1	1	1	2	2	2	3	3	4	4	4	5	5	5	5
S7060	Resined support in alluminium without trapdoor		1	1	1	2	2	2	3	3	4	4	4	5	5	5	5
S7070	Longitudinal toe board 2,00 metres side		2	2	2	2	2	2	2	2	2	2	2	2	2	2	2
S7071	Transversal toe board 1,20 metres side		2	2	2	2	2	2	2	2	2	2	2	2	2	2	2
S7080	2,00 metres wooden boards																
S7030	Working parapet with 48mm wedge		4	4	4	8	8	8	12	12	16	16	16	20	20	20	20
S7040	Stabilizer		4	4	4	4	4	4	4	4	4	4	4	4	4	4	4
S7041	Stabilizer strut		4	4	4	4	4	4	4	4	4	4	4	4	4	4	4
S7090	Wind bracing installations		4	4	4	4	4	4	4	4	4	4	4	4	4	4	4
Weight			189 Kg	201 Kg	223 Kg	274 Kg	325 Kg	337 Kg	398 Kg	411 Kg	471 Kg	484 Kg	506 Kg	557 Kg	579 Kg	592 Kg	614 Kg

* Resined top in alluminium without trapdoor can be replaced by 2 wooden boards code S7080



SAFETY KIT

Scaffolding Safety kit

In order to facilitate the operator on scaffolding in the selection of personal protective equipment, Italscale proposes a basic individual kit that can satisfy the most common needs.



Safety kit Metal Structures

In order to facilitate the operator on scaffolding in the selection of personal protective equipment, Italscale proposes a basic individual kit that can satisfy the most common needs.



Ladders Safety kit

The ladder, if positioned as indicated by the producer, has sufficient stability to be used as a constraint element of a positioning system.
The kit for ladders is not a fall arrester system but a positioning system that offers the possibility to free both hands.



graphic - prepress - print
grafichepegaso.it

Italscale srl

Via Uruguay, 33
35127 PADOVA
+39 049 0998756
info@italscalesrl.it
www.italscalesrl.it



save contact